

UNIVERSAL PARALLEL GRIPPER

CGS2 SERIES

MORE VERSATILE

GREATER VALUE

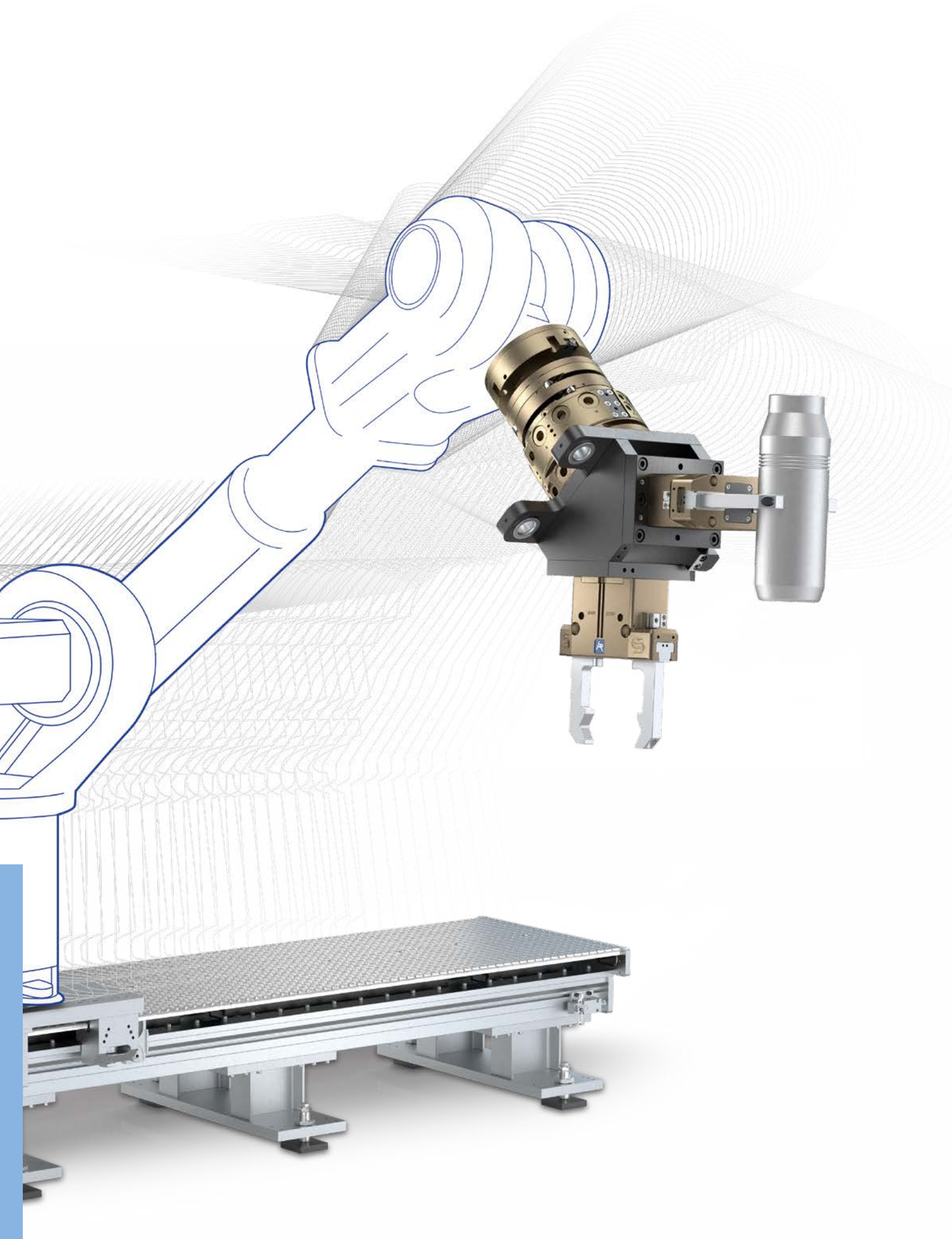
TOUGHER



CGS | COMPATIBLE
GRIPPER SERIES

- ⊕ compatible
- ⊕ exact
- ⊕ flexible in use
in all fields of application

IPR
IPR ROBOTICS
flexibility INCREASED





Overview

About us

IPR – Solutions at hand	4
Industry-specific solutions	6
Individuality for your application	7
IPR standard components	8

CGS2 series

Product advantages	10
Size overview	12

Technical data, versions and accessories

CGS2-40	14
CGS2-50	16
CGS2-64	18
CGS2-80	20
CGS2-100	22
CGS2-125	24
CGS2-160	26
CGS2-200	28
CGS2-240	30
CGS2-300	32
CGS2-380	34

Gripper dimensions

CGS2-40 CGS2-50 CGS2-64	36
CGS2-80 CGS2-100 CGS2-125	38
CGS2-160 CGS2-200 CGS2-240	40
CGS2-300 CGS2-380	42

Peripheral dimensions

CGS2-40 CGS2-50 CGS2-64	44
CGS2-80 CGS2-100 CGS2-125	45
CGS2-160 CGS2-200 CGS2-240	46
CGS2-300 CGS2-380	47

Caption

Technical drawings	48
List of abbreviations	49

Standard is not enough for us

Individual solutions and consulting	50
-------------------------------------	----

Errors and omissions excepted.

The product illustrations are non-binding. Our general terms and Terms and Conditions can be found at www.iprobotics.com/terms-purchase-conditions/

IPR – Solutions at hand

Our components make your robot more intelligent, flexible and versatile

Innovation meets top quality

IPR – Intelligente Peripherien für Roboter GmbH is a leader in the development and manufacturing of products related to industrial robots and offers an extensive product range with innovative systems and components for assembly and handling technology. Our parallel and angular grippers, tool changers, joining and compensating systems as well as load limiters, 7th axes for robots, force-torque sensors and customer-specific solutions are used by customers in many

countries around the world. Companies from all industries trust our products. Quality, technical and industry knowledge are our most important success factors.

We offer you standard products ready for immediate use, but we also support you in special and large-scale projects. Here you benefit directly from the development and manufacturing technologies in our house.





Industry-specific solutions for robot applications and automation solutions

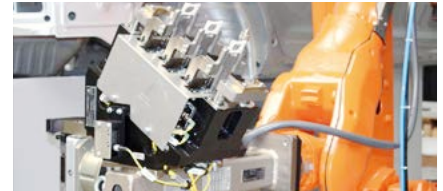
Assembly and handling technology



Machinery loading and unloading



Foundry and forge



Automotive



E-mobility



Medicine and pharmaceuticals



Increased value for your application

IPR components are used in a wide variety of industries. The high variance in the product series combined with the possibility of creating modified standard or specifically designed special products in a short time holds a lot of potential for meeting the requirements of our customers. Our success is the result of many years of experience in

our company. Our employees are professionals in their field and have extensive knowledge around industries and production processes. This is how we continually develop innovative, high-quality and high-performance solutions for each individual project.



Individuality for your application from standardized to customized

For individual solutions, we combine standardized components with custom-built modules to reduce design and delivery times as well as costs. Our company provides these services for a wide range of industries such as the

automotive and supplier industry, machine tools and plant engineering, intralogistics, electrical industry, renewable energies, medical technology and the aerospace industry.



IPR offers everything that robots need to work

Discover our extensive portfolio of peripherals for robots

Our product range of series-produced automation modules includes a variety of grippers and tool changers, joining and compensation modules, force-torque sensors, collision protection systems and 7th axes for robots.

Within the individual product types, differently graded sizes are available for all load ranges. The excellent quality of our product range ensures high availability as well as smooth use in the production process.

We would be pleased to inform you about our components and technologies. Benefit from the many years of experience of IPR consultants.

IPR stands for:

■ Customer proximity

We are always there for our customers with advice and support.

■ Internationality

We are on site worldwide.

■ Innovation

We offer innovative solutions in top quality.

■ Competence

We utilize many years of experience and the know-how of all employees.

■ Quality and flexibility

We live lean structures and short decision-making paths.

6

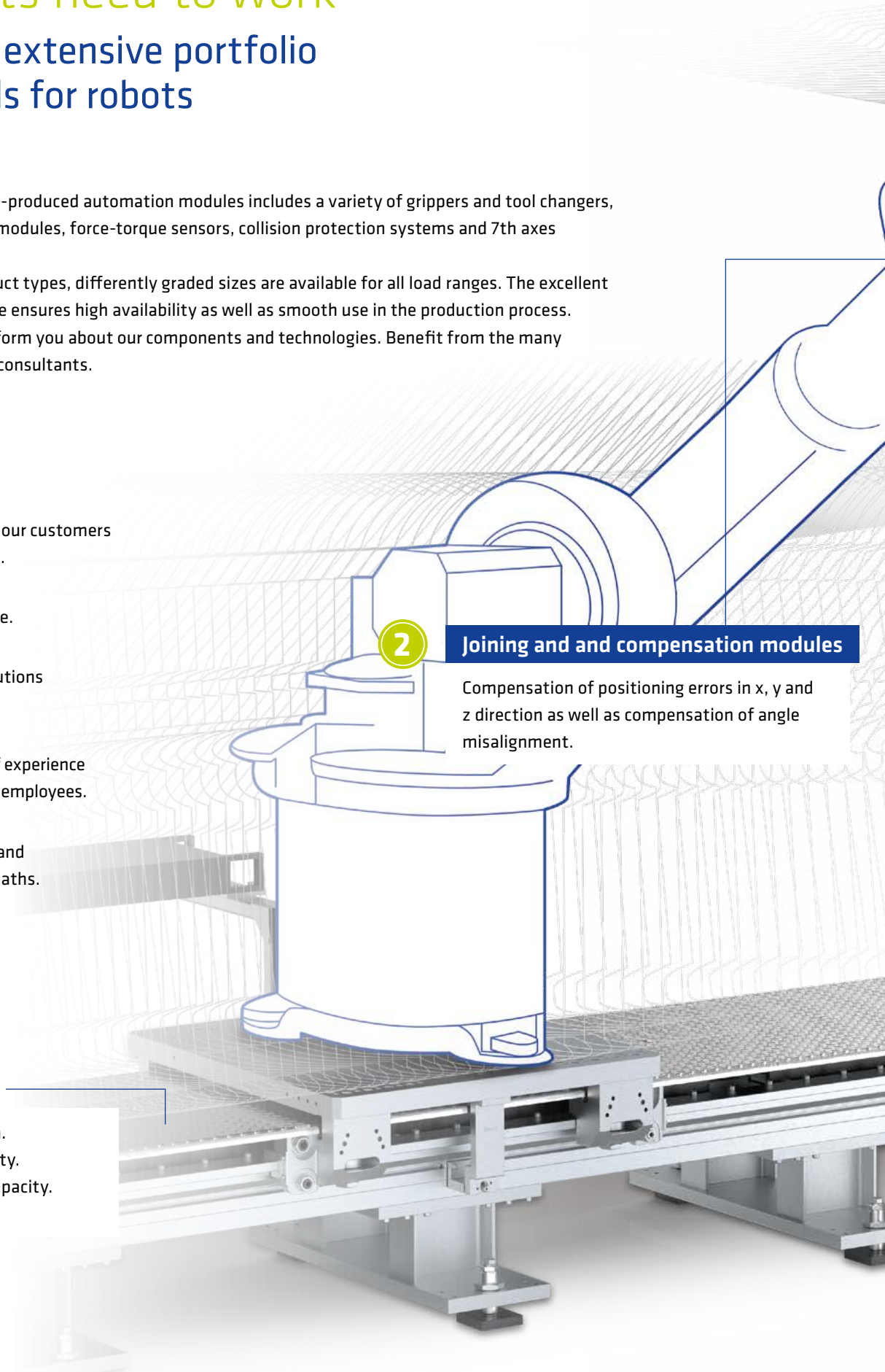
7th axes

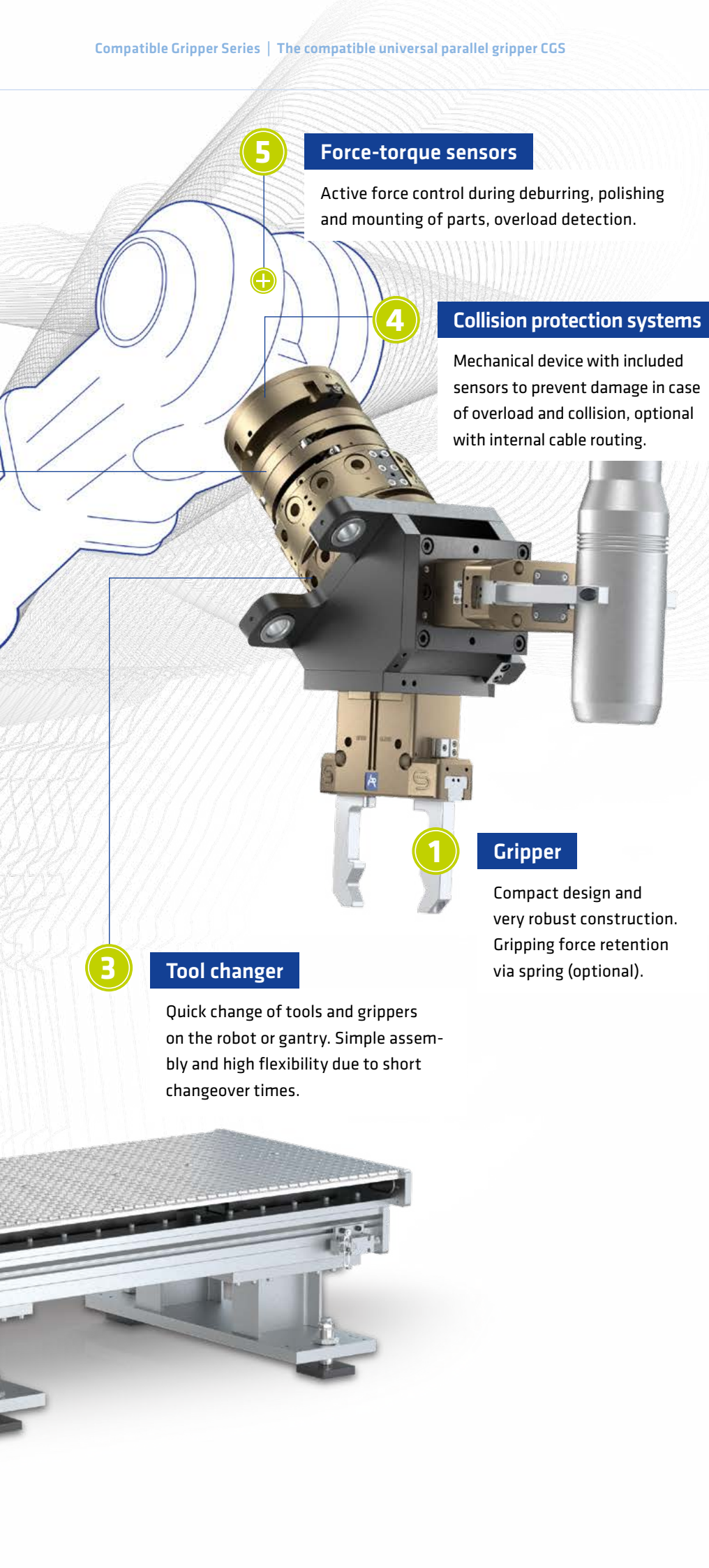
Modular system.
High repeatability.
Extreme load capacity.
Long life.

2

Joining and compensation modules

Compensation of positioning errors in x, y and z direction as well as compensation of angle misalignment.





5 Force-torque sensors

Active force control during deburring, polishing and mounting of parts, overload detection.

+

4 Collision protection systems

Mechanical device with included sensors to prevent damage in case of overload and collision, optional with internal cable routing.

1 Gripper

Compact design and very robust construction. Gripping force retention via spring (optional).

3 Tool changer

Quick change of tools and grippers on the robot or gantry. Simple assembly and high flexibility due to short changeover times.



1 Gripper



2 Joining and compensation modules



3 Tool changer



4 Collision protection systems



5 Force-torque sensors



6 7th axes for robots



CGS – The 2-jaw universal parallel gripper

Key advantages of our CGS2 series

Fields of application

The gripper series was developed for universal use. From clean assembly applications to dirt-prone applications in forges and foundries, there is a suitable gripper version for every task.

Function description

The vertical stroke movement of the oval piston is translated via wedge hook into a horizontally synchronized movement of the jaws. The application of compressed air to the pneumatic piston thus causes the gripper to open and close. The optional spring enables the gripping force to be maintained proportionally in the event of a drop in compressed air.

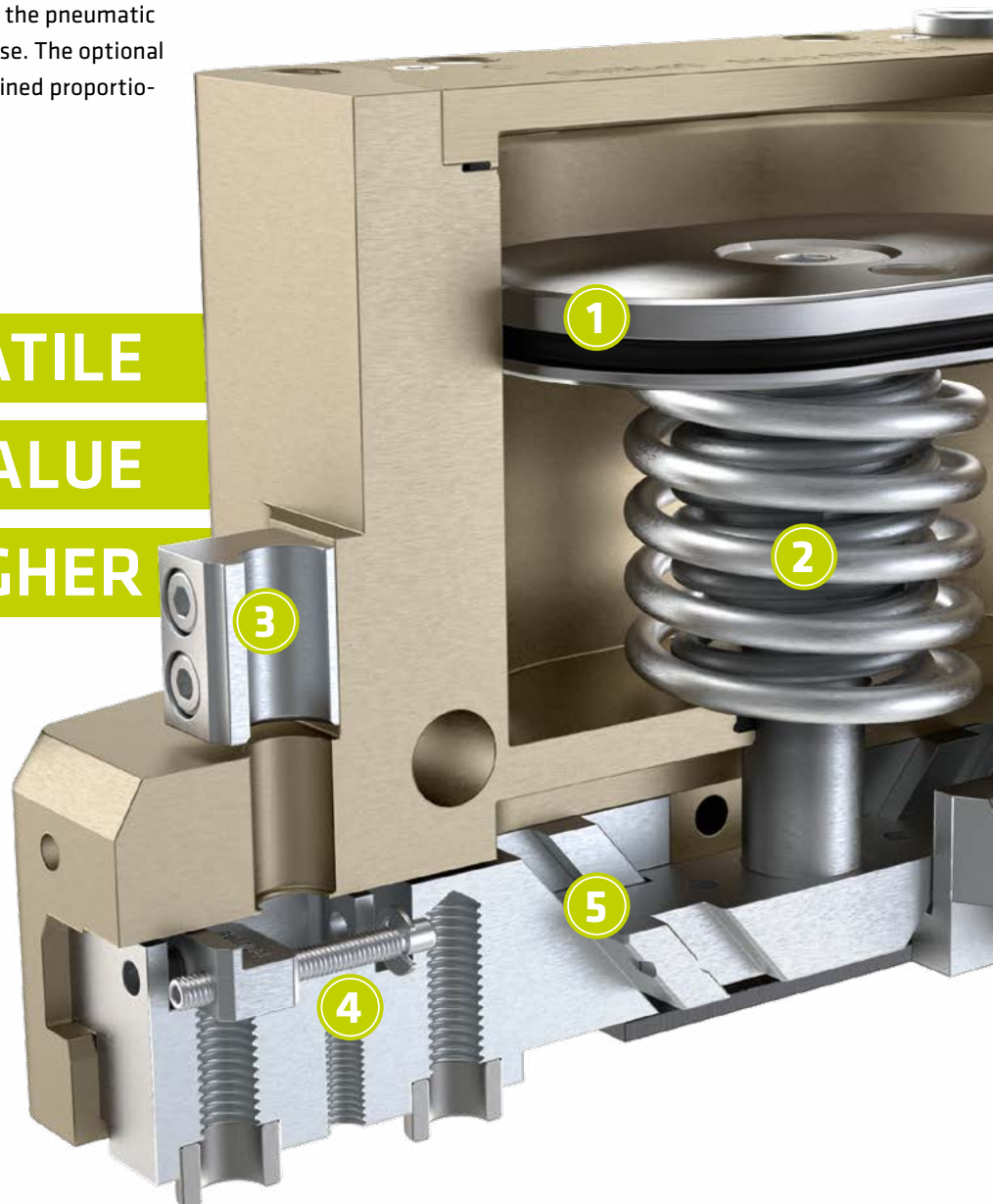
CGS | COMPATIBLE GRIPPER SERIES

- + Various sizes
- + Precise and reliable use
- + Light to heaviest handling weights
- + Maximum gripping forces

MORE VERSATILE

GREATER VALUE

TOUGHER



Product advantages & benefits at a glance

- Compatible with standard universal grippers from the competition
- Maximum guide length of the base jaw (suitable for longer gripper fingers)
- Lubricant pockets as grease reservoirs (leads to extended maintenance intervals)
- Up to 15 % lighter than comparable universal grippers due to weight-optimized design
- Optimized position measuring system for safe handling, type recognition and quality control
- Insensitive to crashes, dust and dirt due to the tried and tested T-slot guide
- Oval piston for maximum gripping force (maximum force density, minimum interference contour)
- Customary third-party sensors permissible (standardization of the customers can be matched)



1

Oval piston

The effective area of the piston has been optimized for the geometry of the base body to allow maximum gripping forces.

2

Spring for gripping force retention (depending on version)

Due to a spring installed in the piston chamber, the gripping force can be maintained even in the event of a drop in compressed air pressure.

3

Sensor holder included as standard

Inductive sensors for monitoring the jaw stroke can be mounted in the aluminum blocks below the jaw guides. In addition to that, commercially available magnetic sensors can be inserted in the C-slots in the housing.

4

Cam adjustment made of robust steel

The exact jaw position at which the inductive sensors output a signal for stroke sensing can be defined stepless with standard tools.

5

Backdrop / wedge hook

Thanks to an optimized design of the wedge hook the force of the piston is transmitted to the jaws with low loss and low wear.

6

Lubricant pockets

Pockets in the sides of the jaws allow permanent storage of grease and thus maintenance-free application under normal conditions.

7

Mounting holes for lateral mounting

Different mounting options for fastening of the gripper offer maximum flexibility for any application.

The sizes of the CGS2 series

With a high number of variants
and versatile application possibilities



Page 12-13

CGS2-40

up to **0.64** kg



Page 14-15

CGS2-50

up to **1.70** kg



Page 16-17

CGS2-64

up to **3.60** kg



Page 18-19

CGS2-80

up to **4.95** kg



Page 20-21

CGS2-100

up to **9.05** kg



Page 22-23

CGS2-125

up to **14.75** kg

More versatile. Greater value. Tougher.

With handling weights
from 0.4 kg up to 95.6 kg



Page 24-25

CGS2-160

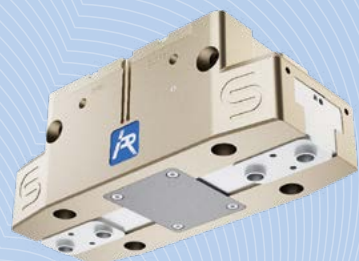
up to **21.40** kg



Page 26-27

CGS2-200

up to **29.40** kg



Page 28-29

CGS2-240

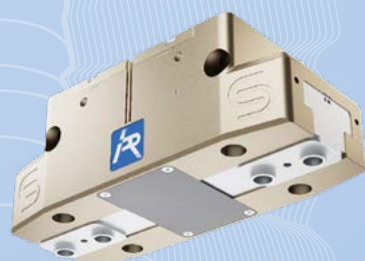
up to **41.84** kg



Page 30-31

CGS2-300

up to **55.35** kg



Page 32-33

CGS2-380

up to **95.60** kg

Technical data

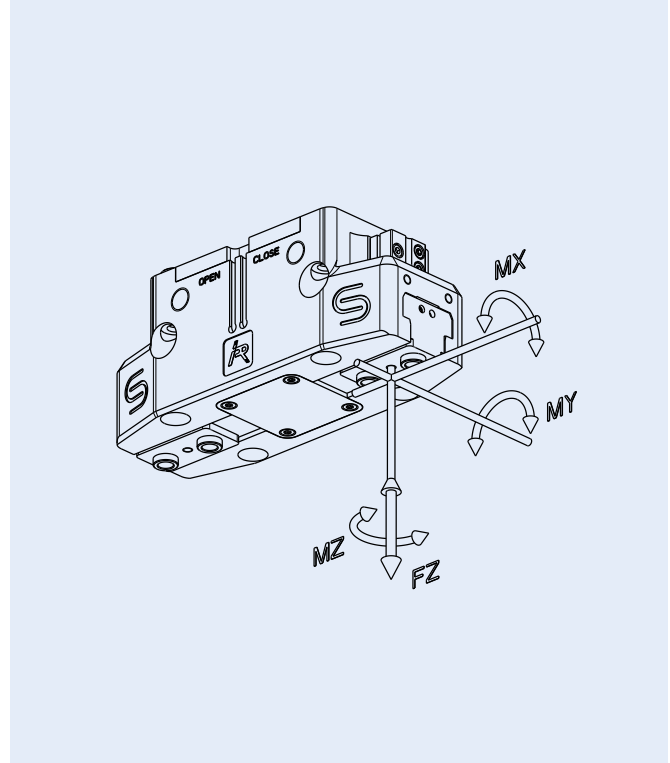
CGS2-40



CGS2-40 with spring (-FA/-FI)



Forces and moments



Technical data

Type	CGS2-40	CGS2-40-FA	CGS2-40-FI
Item no.	150000976	150000977	150000978
Min. operating pressure [bar]	3	4	4
Max. operating pressure [bar]	8	6.5	6.5
Min. operating temperature [°C]	-5	-5	-5
Max. operating temperature [°C]	+80	+80	+80
Weight [kg]	0.09	0.11	0.11
Air consumption per cycle [l]	0.01	0.01	0.01
Max. seal air pressure [bar]	1	1	1
Opening time at 6 bar [s]	0.015	0.03	0.015
Closing time at 6 bar [s]	0.015	0.015	0.03
Repetition accuracy [mm]	+/-0.01	+/-0.01	+/-0.01
Stroke per jaw [mm]	3	3	3
Gripping force internal gripping at 6 bar [N]	128	85	188
Gripping force external gripping at 6 bar [N]	117	178	75
Min. spring force [N]	-	42	42
Recommended payload at 10 mm [kg]	0.64	0.64	0.64
Max. finger length [mm]	70	65	65
Max. permissible mass per finger [kg]	0.12	0.12	0.12
Max. moment Mx [Nm]	10	10	10
Max. moment My [Nm]	12	12	12
Max. moment Mz [Nm]	5	5	5
Max. tensile/compressive force Fz, Fd [N]	250	250	250
Length x width x height [mm]	50 x 24 x 24.7	50 x 24 x 33.7	50 x 24 x 33.7
Customs tariff number (CTN)	84799070	84799070	84799070

Versions and accessories

CGS2-40

CGS2-40 with dust cover (similar to protection class IP64)

Type	CGS2-40-SA	CGS2-40-FA-SA	CGS2-40-FI-SA
Item no.	150001019	150001020	150001021
Weight [kg]	0.13	0.15	0.15
L x W x H [mm]	64 x 24 x 28.7	64 x 24 x 37.7	64 x 24 x 37.7

Other technical data correspond to the basic variants (see table on the left).



CGS2-40 as high temperature version

Type	CGS2-40-VH	CGS2-40-FA-VH	CGS2-40-FI-VH
Item no.	150001022	150001023	150001024
Max. operating temperature [°C]	+130	+130	+130

Other technical data correspond to the basic variants (see table on the left).



Double check valve for air pressure preservation

Type	DSV-1 M5
Item no.	152600002
Connection thread	2x M5
Nominal volume flow [m³/h]	0.22



Sensors for position monitoring

Type	Sm-8-PNP short f. CGS2-40/50
Item no.	118000556
Measuring principle	Magnetic field
Position sensing	Piston stroke
Sensing distance [mm]	-
Connection type	0.3 m cable with M8x1 plug, 3-pin

Additionally required mounting material: Mounting bracket C-slot (118000567).



Versions and accessories

CGS2-50

CGS2-50 with dust cover (similar to protection class IP64)

Type	CGS2-50-1-SA	CGS2-50-1-FA-SA	CGS2-50-1-FI-SA
Item no.	150001039	150001041	150001042
Weight [kg]	0.23	0.28	0.29
L x W x H [mm]	83 x 30 x 35.5	83 x 30 x 51.5	83 x 30 x 51.5
Type	CGS2-50-2-SA	CGS2-50-2-FA-SA	CGS2-50-2-FI-SA
Item no.	150001040	150001043	150001044
Weight [kg]	0.24	0.29	0.29
L x W x H [mm]	83 x 30 x 35.5	83 x 30 x 51.5	83 x 30 x 51.5

Other technical data correspond to the basic variants (see table on the left).



CGS2-50 as high temperature version

Type	CGS2-50-1-VH	CGS2-50-1-FA-VH	CGS2-50-1-FI-VH
Item no.	150001047	150001049	150001050
Max. operating temperature [°C]	+130	+130	+130
Type	CGS2-50-2-VH	CGS2-50-2-FA-VH	CGS2-50-2-FI-VH
Item no.	150001048	150001051	150001052
Max. operating temperature [°C]	+130	+130	+130

Other technical data correspond to the basic variants (see table on the left).



Double check valve for air pressure preservation

Type	DSV-1
Item no.	152600002
Connection thread	2x M5
Nominal volume flow [m ³ /h]	0.22



Sensors for position monitoring

Type	Sm-8-PNP short f. CGS2-40/50
Item no.	118000556
Measuring principle	Magnetic field
Position sensing	Piston stroke
Sensing distance [mm]	-
Connection type	0.3 m cable with M8x1 plug, 3-pin

Additionally required mounting material: Mounting bracket C-slot (118000567).



Versions and accessories

CGS2-64

CGS2-64 with dust cover (similar to protection class IP64)

Type	CGS2-64-1-SA	CGS2-64-1-FA-SA	CGS2-64-1-FI-SA
Item no.	150001027	150001029	150001030
Weight [kg]	0.39	0.47	0.47
L x W x H [mm]	94 x 36 x 44.5	94 x 36 x 62.5	94 x 36 x 62.5
Type	CGS2-64-2-SA	CGS2-64-2-FA-SA	CGS2-64-2-FI-SA
Item no.	150001028	150001031	150001032
Weight [kg]	0.40	0.48	0.48
L x W x H [mm]	94 x 36 x 44.5	94 x 36 x 62.5	94 x 36 x 62.5

Other technical data correspond to the basic variants (see table on the left).



CGS2-64 as high temperature version

Type	CGS2-64-1-VH	CGS2-64-1-FA-VH	CGS2-64-1-FI-VH
Item no.	150001033	150001035	150001036
Max. operating temperature [°C]	+130	+130	+130
Type	CGS2-64-2-VH	CGS2-64-2-FA-VH	CGS2-64-2-FI-VH
Item no.	150001034	150001037	150001038
Max. operating temperature [°C]	+130	+130	+130

Other technical data correspond to the basic variants (see table on the left).



Double check valve for air pressure preservation

Type	DSV-1 M5
Item no.	152600002
Connection thread	2x M5
Nominal volume flow [m³/h]	0.22



Sensors for position monitoring

Type	Sm-8-C-PNP f. CGS2-64-380	Si-8-PNP
Item no.	118000422	11800011
Measuring principle	Magnetic field	Inductive
Position sensing	Piston stroke	Jaw stroke
Sensing distance [mm]	-	2
Connection type	0.3 m cable with M8x1 plug, 3-pin	M8x1 plug, 3-pin



Versions and accessories

CGS2-80

CGS2-80 with dust cover (similar to protection class IP64)

Type	CGS2-80-1-SA	CGS2-80-1-FA-SA	CGS2-80-1-FI-SA
Item no.	150001053	150001055	150001056
Weight [kg]	0.68	0.81	0.90
L x W x H [mm]	116 x 42 x 54.5	116 x 42 x 77	116 x 42 x 77
Type	CGS2-80-2-SA	CGS2-80-2-FA-SA	CGS2-80-2-FI-SA
Item no.	150001054	150001057	150001058
Weight [kg]	0.70	0.83	0.82
L x W x H [mm]	116 x 42 x 54.5	116 x 42 x 77	116 x 42 x 77

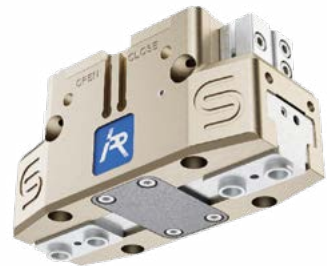
Other technical data correspond to the basic variants (see table on the left).



CGS2-80 as high temperature version

Type	CGS2-80-1-VH	CGS2-80-1-FA-VH	CGS2-80-1-FI-VH
Item no.	150001059	150001061	150001062
Max. operating temperature [°C]	+130	+130	+130
Type	CGS2-80-2-VH	CGS2-80-2-FA-VH	CGS2-80-2-FI-VH
Item no.	150001060	150001063	150001064
Max. operating temperature [°C]	+130	+130	+130

Other technical data correspond to the basic variants (see table on the left).



Double check valve for air pressure preservation

Type	DSV-1 M5
Item no.	152600002
Connection thread	2x M5
Nominal volume flow [m³/h]	0.22



Sensors for position monitoring

Type	Sm-8-C-PNP f. CGS2-64-380	Si-8-PNP
Item no.	118000422	11800011
Measuring principle	Magnetic field	inductive
Position sensing	Piston stroke	jaw stroke
Sensing distance [mm]	-	2
Connection type	0.3 m cable with M8x1 plug, 3-pin	M8x1 plug, 3-pin



Versions and accessories

CGS2-100

CGS2-100 with dust cover (similar to protection class IP64)

Type	CGS2-100-1-SA	CGS2-100-1-FA-SA	CGS2-100-1-FI-SA
Item no.	150001067	150001069	150001070
Weight [kg]	1.07	1.31	1.31
L x W x H [mm]	143 x 50 x 61.5	143 x 50 x 87.5	120 x 50 x 81
Type	CGS2-100-2-SA	CGS2-100-2-FA-SA	CGS2-100-2-FI-SA
Item no.	150001068	150001071	150001072
Weight [kg]	1.10	1.34	1.33
L x W x H [mm]	143 x 50 x 61.5	143 x 50 x 87.5	143 x 50 x 87.5

Other technical data correspond to the basic variants (see table on the left).



CGS2-100 as high temperature version

Type	CGS2-100-1-VH	CGS2-100-1-FA-VH	CGS2-100-1-FI-VH
Item no.	150001073	150001075	150001076
Max. operating temperature [°C]	+130	+130	+130
Type	CGS2-100-2-VH	CGS2-100-2-FA-VH	CGS2-100-2-FI-VH
Item no.	150001074	150001077	150001078
Max. operating temperature [°C]	+130	+130	+130

Other technical data correspond to the basic variants (see table on the left).



Double check valve for air pressure preservation

Type	DSV-2 G1/8"
Item no.	15260000
Connection thread	2x G1/8"
Nominal volume flow [m³/h]	0.53



Sensors for position monitoring

Type	Sm-8-C-PNP f. CGS2-64-380	Si-8-PNP
Item no.	118000422	11800011
Measuring principle	Magnetic field	inductive
Position sensing	Piston stroke	jaw stroke
Sensing distance [mm]	-	2
Connection type	0.3 m cable with M8x1 plug, 3-pin	M8x1 plug, 3-pin



Versions and accessories

CGS2-125

CGS2-125 with dust cover (similar to protection class IP64)

Type	CGS2-125-1-SA	CGS2-125-1-FA-SA	CGS2-125-1-FI-SA
Item no.	150001006	150001008	150001009
Weight [kg]	1.68	2.08	2.07
L x W x H [mm]	176 x 60 x 69.5	176 x 60 x 99.5	176 x 60 x 99.5
Type	CGS2-125-2-SA	CGS2-125-2-FA-SA	CGS2-125-2-FI-SA
Item no.	150001007	150001010	150001011
Weight [kg]	1.73	2.12	2.12
L x W x H [mm]	176 x 60 x 69.5	176 x 60 x 99.5	176 x 60 x 99.5

Other technical data correspond to the basic variants (see table on the left).



CGS2-125 as high temperature version

Type	CGS2-125-1-VH	CGS2-125-1-FA-VH	CGS2-125-1-FI-VH
Item no.	150001013	150001015	150001016
Max. operating temperature [°C]	+130	+130	+130
Type	CGS2-125-2-VH	CGS2-125-2-FA-VH	CGS2-125-2-FI-VH
Item no.	150001014	150001017	150001018
Max. operating temperature [°C]	+130	+130	+130

Other technical data correspond to the basic variants (see table on the left).



Double check valve for air pressure preservation

Type	DSV-2 G1/8"
Item no.	15260000
Connection thread	2x G1/8"
Nominal volume flow [m³/h]	0.53



Sensors for position monitoring

Type	Sm-8-C-PNP f. CGS2-64-380	Si-8-PNP
Item no.	118000422	11800011
Measuring principle	Magnetic field	inductive
Position sensing	Piston stroke	jaw stroke
Sensing distance [mm]	-	2
Connection type	0.3 m cable with M8x1 plug, 3-pin	M8x1 plug, 3-pin



Versions and accessories

CGS2-160

CGS2-160 with dust cover (similar to protection class IP64)

Type	CGS2-160-1-SA	CGS2-160-1-FA-SA	CGS2-160-1-FI-SA
Item no.	150001079	150001081	150001082
Weight [kg]	3.56	4.36	4.36
L x W x H [mm]	230 x 72 x 85.5	230 x 72 x 125.5	230 x 72 x 125.5
Type	CGS2-160-2-SA	CGS2-160-2-FA-SA	CGS2-160-2-FI-SA
Item no.	150001080	150001083	150001084
Weight [kg]	3.67	4.46	4.46
L x W x H [mm]	230 x 72 x 85.5	230 x 72 x 125.5	230 x 72 x 125.5

Other technical data correspond to the basic variants (see table on the left).



CGS2-160 as high temperature version

Type	CGS2-160-1-VH	CGS2-160-1-FA-VH	CGS2-160-1-FI-VH
Item no.	150001086	150001088	150001089
Max. operating temperature [°C]	+130	+130	+130
Type	CGS2-160-2-VH	CGS2-160-2-FA-VH	CGS2-160-2-FI-VH
Item no.	150001087	150001090	150001091
Max. operating temperature [°C]	+130	+130	+130

Other technical data correspond to the basic variants (see table on the left).



Double check valve for air pressure preservation

Type	DSV-2 G1/8"
Item no.	15260000
Connection thread	2x G1/8"
Nominal volume flow [m³/h]	0.53



Sensors for position monitoring

Type	Sm-8-C-PNP f. CGS2-64-380	Si-8-PNP
Item no.	118000422	11800011
Measuring principle	Magnetic field	inductive
Position sensing	Piston stroke	jaw stroke
Sensing distance [mm]	-	2
Connection type	0.3 m cable with M8x1 plug, 3-pin	M8x1 plug, 3-pin



Versions and accessories

CGS2-200

CGS2-200 with dust cover (similar to protection class IP64)

Type	CGS2-200-1-SA	CGS2-200-1-FA-SA	CGS2-200-1-FI-SA
Item no.	150001093	150001095	150001096
Weight [kg]	6.45	8.18	8.06
L x W x H [mm]	254 x 100 x 99.5	254 x 100 x 149.5	254 x 100 x 149.5
Type	CGS2-200-2-SA	CGS2-200-2-FA-SA	CGS2-200-2-FI-SA
Item no.	150001094	150001097	150001098
Weight [kg]	6.68	8.41	8.29
L x W x H [mm]	254 x 100 x 99.5	254 x 100 x 149.5	254 x 100 x 149.5

Other technical data correspond to the basic variants (see table on the left).



CGS2-200 as high temperature version

Type	CGS2-200-1-VH	CGS2-200-1-FA-VH	CGS2-200-1-FI-VH
Item no.	150001100	150001102	150001103
Max. operating temperature [°C]	+130	+130	+130
Type	CGS2-200-2-VH	CGS2-200-2-FA-VH	CGS2-200-2-FI-VH
Item no.	150001101	150001104	150001105
Max. operating temperature [°C]	+130	+130	+130

Other technical data correspond to the basic variants (see table on the left).



Double check valve for air pressure preservation

Type	DSV-2 G1/8"
Item no.	15260000
Connection thread	2x G1/8"
Nominal volume flow [m³/h]	0.53



Sensors for position monitoring

Type	Sm-8-C-PNP f. CGS2-64-380	Si-8-PNP
Item no.	118000422	11800011
Measuring principle	Magnetic field	inductive
Position sensing	Piston stroke	jaw stroke
Sensing distance [mm]	-	2
Connection type	0.3 m cable with M8x1 plug, 3-pin	M8x1 plug, 3-pin



Versions and accessories

CGS2-240

CGS2-240 with dust cover (similar to protection class IP64)

Type	CGS2-240-1-SA	CGS2-240-1-FA-SA	CGS2-240-1-FI-SA
Item no.	150001106	150001108	150001109
Weight [kg]	9.38	11.85	11.89
L x W x H [mm]	292 x 115 x 115.5	292 x 115 x 172	292 x 115 x 172
Type	CGS2-240-2-SA	CGS2-240-2-FA-SA	CGS2-240-2-FI-SA
Item no.	150001107	150001110	150001111
Weight [kg]	9.72	12.19	12.24
L x W x H [mm]	292 x 115 x 115.5	292 x 115 x 172	292 x 115 x 172

Other technical data correspond to the basic variants (see table on the left).



CGS2-240 as high temperature version

Type	CGS2-240-1-VH	CGS2-240-1-FA-VH	CGS2-240-1-FI-VH
Item no.	150001113	150001115	150001116
Max. operating temperature [°C]	+130	+130	+130
Type	CGS2-240-2-VH	CGS2-240-2-FA-VH	CGS2-240-2-FI-VH
Item no.	150001114	150001117	150001118
Max. operating temperature [°C]	+130	+130	+130

Other technical data correspond to the basic variants (see table on the left).



Double check valve for air pressure preservation

Type	DSV-2 G1/8"
Item no.	15260000
Connection thread	2x G1/8"
Nominal volume flow [m³/h]	0.53



Sensors for position monitoring

Type	Sm-8-C-PNP f. CGS2-64-380	Si-8-PNP
Item no.	118000422	11800011
Measuring principle	Magnetic field	inductive
Position sensing	Piston stroke	jaw stroke
Sensing distance [mm]	-	2
Connection type	0.3 m cable with M8x1 plug, 3-pin	M8x1 plug, 3-pin



Versions and accessories

CGS2-300

CGS2-300 with dust cover (similar to protection class IP64)

Type	CGS2-300-1-SA	CGS2-300-1-FA-SA	CGS2-300-1-FI-SA
Item no.	150001132	150001134	150001135
Weight [kg]	16.33	19.63	19.52
L x W x H [mm]	348 x 140 x 135.5	348 x 140 x 185.5	348 x 140 x 185.5
Type	CGS2-300-2-SA	CGS2-300-2-FA-SA	CGS2-300-2-FI-SA
Item no.	150001133	150001136	150001137
Weight [kg]	16.89	20.20	20.09
L x W x H [mm]	348 x 140 x 135.5	348 x 140 x 185.5	348 x 140 x 185.5

Other technical data correspond to the basic variants (see table on the left).



CGS2-300 as high temperature version

Type	CGS2-300-1-VH	CGS2-300-1-FA-VH	CGS2-300-1-FI-VH
Item no.	150001139	150001141	150001142
Max. operating temperature [°C]	+130	+130	+130
Type	CGS2-300-2-VH	CGS2-300-2-FA-VH	CGS2-300-2-FI-VH
Item no.	150001140	150001143	150001144
Max. operating temperature [°C]	+130	+130	+130

Other technical data correspond to the basic variants (see table on the left).



Double check valve for air pressure preservation

Type	DSV-3 G1/4"
Item no.	15260001
Connection thread	2x G1/4"
Nominal volume flow [m ³ /h]	0.9



Sensors for position monitoring

Type	Sm-8-C-PNP f. CGS2-64-380	Si-8-PNP f. CGS2-300/380
Item no.	118000422	11800356
Measuring principle	Magnetic field	inductive
Position sensing	Piston stroke	jaw stroke
Sensing distance [mm]	-	2
Connection type	0.3 m cable with M8x1 plug, 3-pin	M8x1 plug, 3-pin



Versions and accessories

CGS2-380

CGS2-380 with dust cover (similar to protection class IP64)

Type	CGS2-380-1-SA	CGS2-380-1-FA-SA	CGS2-380-1-FI-SA
Item no.	150001119	150001121	150001122
Weight [kg]	32.37	39.59	38.47
L x W x H [mm]	440 x 170 x 172.5	440 x 170 x 244.5	440 x 170 x 244.5
Type	CGS2-380-2-SA	CGS2-380-2-FA-SA	CGS2-380-2-FI-SA
Item no.	150001120	150001123	150001124
Weight [kg]	33.43	40.64	39.53
L x W x H [mm]	440 x 170 x 172.5	440 x 170 x 244.5	440 x 170 x 244.5

Other technical data correspond to the basic variants (see table on the left).



CGS2-380 as high temperature version

Type	CGS2-380-1-VH	CGS2-380-1-FA-VH	CGS2-380-1-FI-VH
Item no.	150001126	150001128	150001129
Max. operating temperature [°C]	+130	+130	+130
Type	CGS2-380-2-VH	CGS2-380-2-FA-VH	CGS2-380-2-FI-VH
Item no.	150001127	150001130	150001131
Max. operating temperature [°C]	+130	+130	+130

Other technical data correspond to the basic variants (see table on the left).



Double check valve for air pressure preservation

Type	DSV-3 G1/4"
Item no.	15260001
Connection thread	2x G1/4"
Nominal volume flow [m³/h]	0.9



Sensors for position monitoring

Type	Sm-8-C-PNP f. CGS2-64-380	Si-8-PNP f. CGS2-300/380
Item no.	118000422	11800356
Measuring principle	Magnetic field	inductive
Position sensing	Piston stroke	jaw stroke
Sensing distance [mm]	-	2
Connection type	0.3 m cable with M8x1 plug, 3-pin	M8x1 plug, 3-pin



Dimensions

Gripper dimensions, gripper and gripper finger assembly

CGS2-40 | CGS2-50 | CGS2-64

Type	Item no.	Gripper dimensions [mm]							Gripper assembly									
		BB	BGF	HGF	HGK 1	HGK 2	LGF	LGK	Gripper assembly standard [mm]									
									AMG 1	AMG 2	AB	MGG	TMGG	DMG Ø	DSMG Ø	TSMG	DPHG Ø h6	HPHG
CGS2-40	150000976	7	24	24.7	9	24	50	38	32	18	4	M3	8	2.6	4.8	8	5	2
CGS2-40-SA	150001019	13.2	24	28.7	9	24	64	38	32	18	4	M3	8	2.6	4.8	8	5	2
CGS2-40-VH	150001022	7	24	24.7	9	24	50	38	32	18	4	M3	8	2.6	4.8	8	5	2
CGS2-40-FA	150000977	7	24	33.7	18	33	50	38	32	18	4	M3	8	2.6	4.8	8	5	2
CGS2-40-FA-SA	150001020	13.2	24	37.7	18	33	64	38	32	18	4	M3	8	2.6	4.8	8	5	2
CGS2-40-FA-VH	150001023	7	24	33.7	18	33	50	38	32	18	4	M3	8	2.6	4.8	8	5	2
CGS2-40-FI	150000978	7	24	33.7	18	33	50	38	32	18	4	M3	8	2.6	4.8	8	5	2
CGS2-40-FI-SA	150001021	13.2	24	37.7	18	33	64	38	32	18	4	M3	8	2.6	4.8	8	5	2
CGS2-40-FI-VH	150001024	7	24	33.7	18	33	50	38	32	18	4	M3	8	2.6	4.8	8	5	2
CGS2-50-1	150000925	10	30	31	13	30	65	42	35	22	4	M4	11	3.3	5.8	9	6	2.5
CGS2-50-1-SA	150001039	16.2	30	35.5	13	30	83	42	35	22	4	M4	11	3.3	5.8	9	6	2.5
CGS2-50-1-VH	150001047	10	30	31	13	30	65	42	35	22	4	M4	11	3.3	5.8	9	6	2.5
CGS2-50-1-FA	150000927	10	30	47	29	46	65	42	35	22	4	M4	11	3.3	5.8	9	6	2.5
CGS2-50-1-FA-SA	150001041	16.2	30	51.5	29	46	83	42	35	22	4	M4	11	3.3	5.8	9	6	2.5
CGS2-50-1-FA-VH	150001049	10	30	47	29	46	65	42	35	22	4	M4	11	3.3	5.8	9	6	2.5
CGS2-50-1-FI	150000928	10	30	47	29	46	65	42	35	22	4	M4	11	3.3	5.8	9	6	2.5
CGS2-50-1-FI-SA	150001042	16.2	30	51.5	29	46	83	42	35	22	4	M4	11	3.3	5.8	9	6	2.5
CGS2-50-1-FI-VH	150001050	10	30	47	29	46	65	42	35	22	4	M4	11	3.3	5.8	9	6	2.5
CGS2-50-2	150000926	10	30	31	13	30	65	42	35	22	4	M4	11	3.3	5.8	9	6	2.5
CGS2-50-2-SA	150001040	16.2	30	35.5	13	30	83	42	35	22	4	M4	11	3.3	5.8	9	6	2.5
CGS2-50-2-VH	150001048	10	30	31	13	30	65	42	35	22	4	M4	11	3.3	5.8	9	6	2.5
CGS2-50-2-FA	150000929	10	30	47	29	46	65	42	35	22	4	M4	11	3.3	5.8	9	6	2.5
CGS2-50-2-FA-SA	150001043	16.2	30	51.5	29	46	83	42	35	22	4	M4	11	3.3	5.8	9	6	2.5
CGS2-50-2-FA-VH	150001051	10	30	47	29	46	65	42	35	22	4	M4	11	3.3	5.8	9	6	2.5
CGS2-50-2-FI	150000930	10	30	47	29	46	65	42	35	22	4	M4	11	3.3	5.8	9	6	2.5
CGS2-50-2-FI-SA	150001044	16.2	30	51.5	29	46	83	42	35	22	4	M4	11	3.3	5.8	9	6	2.5
CGS2-50-2-FI-VH	150001052	10	30	47	29	46	65	42	35	22	4	M4	11	3.3	5.8	9	6	2.5
CGS2-64-1	150000913	12	36	39	15	38	76	52	42	27	4	M5	13	4.2	7.25	15	8	2.5
CGS2-64-1-SA	150001027	19.8	36	44.5	15	38	94	52	42	27	4	M5	13	4.2	7.25	15	8	2.5
CGS2-64-1-VH	150001033	12	36	39	15	38	76	52	42	27	4	M5	13	4.2	7.25	15	8	2.5
CGS2-64-1-FA	150000915	12	36	57	33	56	76	52	42	27	4	M5	13	4.2	7.25	15	8	2.5
CGS2-64-1-FA-SA	150001029	19.8	36	62.5	33	56	94	52	42	27	4	M5	13	4.2	7.25	15	8	2.5
CGS2-64-1-FA-VH	150001035	12	36	57	33	56	76	52	42	27	4	M5	13	4.2	7.25	15	8	2.5
CGS2-64-1-FI	150000916	12	36	57	33	56	76	52	42	27	4	M5	13	4.2	7.25	15	8	2.5
CGS2-64-1-FI-SA	150001030	19.8	36	62.5	33	56	94	52	42	27	4	M5	13	4.2	7.25	15	8	2.5
CGS2-64-1-FI-VH	150001036	12	36	57	33	56	76	52	42	27	4	M5	13	4.2	7.25	15	8	2.5
CGS2-64-2	150000914	12	36	39	15	38	76	52	42	27	4	M5	13	4.2	7.25	15	8	2.5
CGS2-64-2-SA	150001028	19.8	36	44.5	15	38	94	52	42	27	4	M5	13	4.2	7.25	15	8	2.5
CGS2-64-2-VH	150001034	12	36	39	15	38	76	52	42	27	4	M5	13	4.2	7.25	15	8	2.5
CGS2-64-2-FA	150000917	12	36	57	33	56	76	52	42	27	4	M5	13	4.2	7.25	15	8	2.5
CGS2-64-2-FA-SA	150001031	19.8	36	62.5	33	56	94	52	42	27	4	M5	13	4.2	7.25	15	8	2.5
CGS2-64-2-FA-VH	150001037	12	36	57	33	56	76	52	42	27	4	M5	13	4.2	7.25	15	8	2.5
CGS2-64-2-FI	150000918	12	36	57	33	56	76	52	42	27	4	M5	13	4.2	7.25	15	8	2.5
CGS2-64-2-FI-SA	150001032	19.8	36	62.5	33	56	94	52	42	27	4	M5	13	4.2	7.25	15	8	2.5
CGS2-64-2-FI-VH	150001038	12	36	57	33	56	76	52	42	27	4	M5	13	4.2	7.25	15	8	2.5

For explanation of abbreviations and drawings see page 48-49

Type	Item no.	Gripper assembly								Gripper finger assembly [mm]					
		Lateral gripper mounting [mm]								AMB 1 open / closed	AMB 2	DMB	TDMB	DPHB Ø h6	HPHB
		AMGS	HMGS	ABSS	DMGS Ø	DSMGS Ø	TSMGS	DPS Ø H7	TPS						
CGS2-40	150000976	32	11	2	2.6	4.8	7.5	5	2	26.5/21.5	8	M2.5	7	4	2
CGS2-40-SA	150001019	32	11	2	2.6	4.8	7.5	5	2	26.5/21.5	8	M2.5	11	4	2
CGS2-40-VH	150001022	32	11	2	2.6	4.8	7.5	5	2	26.5/21.5	8	M2.5	7	4	2
CGS2-40-FA	150000977	32	20	2	2.6	4.8	7.5	5	2	26.5/21.5	8	M2.5	7	4	2
CGS2-40-FA-SA	150001020	32	20	2	2.6	4.8	7.5	5	2	26.5/21.5	8	M2.5	11	4	2
CGS2-40-FA-VH	150001023	32	20	2	2.6	4.8	7.5	5	2	26.5/21.5	8	M2.5	7	4	2
CGS2-40-FI	150000978	32	20	2	2.6	4.8	7.5	5	2	26.5/21.5	8	M2.5	7	4	2
CGS2-40-FI-SA	150001021	32	20	2	2.6	4.8	7.5	5	2	26.5/21.5	8	M2.5	11	4	2
CGS2-40-FI-VH	150001024	32	20	2	2.6	4.8	7.5	5	2	26.5/21.5	8	M2.5	7	4	2
CGS2-50-1	150000925	35	14.5	2	3.3	5.8	8.5	6	2.5	33.5 / 25.5	12	M3	9	5	2
CGS2-50-1-SA	150001039	35	14.5	2	3.3	5.8	8.5	6	2.5	33.5 / 25.5	12	M3	13.5	5	1.5
CGS2-50-1-VH	150001047	35	14.5	2	3.3	5.8	8.5	6	2.5	33.5 / 25.5	12	M3	9	5	2
CGS2-50-1-FA	150000927	35	30.5	2	3.3	5.8	8.5	6	2.5	33.5 / 25.5	12	M3	9	5	2
CGS2-50-1-FA-SA	150001041	35	30.5	2	3.3	5.8	8.5	6	2.5	33.5 / 25.5	12	M3	13.5	5	1.5
CGS2-50-1-FA-VH	150001049	35	30.5	2	3.3	5.8	8.5	6	2.5	33.5 / 25.5	12	M3	9	5	2
CGS2-50-1-FI	150000928	35	30.5	2	3.3	5.8	8.5	6	2.5	33.5 / 25.5	12	M3	9	5	2
CGS2-50-1-FI-SA	150001042	35	30.5	2	3.3	5.8	8.5	6	2.5	33.5 / 25.5	12	M3	13.5	5	1.5
CGS2-50-1-FI-VH	150001050	35	30.5	2	3.3	5.8	8.5	6	2.5	33.5 / 25.5	12	M3	9	5	2
CGS2-50-2	150000926	35	14.5	2	3.3	5.8	8.5	6	2.5	31.5 / 27.5	12	M3	9	5	2
CGS2-50-2-SA	150001040	35	14.5	2	3.3	5.8	8.5	6	2.5	31.5 / 27.5	12	M3	13.5	5	1.5
CGS2-50-2-VH	150001048	35	14.5	2	3.3	5.8	8.5	6	2.5	31.5 / 27.5	12	M3	9	5	2
CGS2-50-2-FA	150000929	35	30.5	2	3.3	5.8	8.5	6	2.5	31.5 / 27.5	12	M3	9	5	2
CGS2-50-2-FA-SA	150001043	35	30.5	2	3.3	5.8	8.5	6	2.5	31.5 / 27.5	12	M3	13.5	5	1.5
CGS2-50-2-FA-VH	150001051	35	30.5	2	3.3	5.8	8.5	6	2.5	31.5 / 27.5	12	M3	9	5	2
CGS2-50-2-FI	150000930	35	30.5	2	3.3	5.8	8.5	6	2.5	31.5 / 27.5	12	M3	9	5	2
CGS2-50-2-FI-SA	150001044	35	30.5	2	3.3	5.8	8.5	6	2.5	31.5 / 27.5	12	M3	13.5	5	1.5
CGS2-50-2-FI-VH	150001052	35	30.5	2	3.3	5.8	8.5	6	2.5	31.5 / 27.5	12	M3	9	5	2
CGS2-64-1	150000913	42	17.5	2	4.2	7.25	9.5	8	2.5	40.5 / 28.5	13	M4	9.5	6	2.5
CGS2-64-1-SA	150001027	42	17.5	2	4.2	7.25	9.5	8	2.5	40.5 / 28.5	13	M4	15.3	6	2
CGS2-64-1-VH	150001033	42	17.5	2	4.2	7.25	9.5	8	2.5	40.5 / 28.5	13	M4	9.5	6	2.5
CGS2-64-1-FA	150000915	42	35.5	2	4.2	7.25	9.5	8	2.5	40.5 / 28.5	13	M4	9.5	6	2.5
CGS2-64-1-FA-SA	150001029	42	35.5	2	4.2	7.25	9.5	8	2.5	40.5 / 28.5	13	M4	15.3	6	2
CGS2-64-1-FA-VH	150001035	42	35.5	2	4.2	7.25	9.5	8	2.5	40.5 / 28.5	13	M4	9.5	6	2.5
CGS2-64-1-FI	150000916	42	35.5	2	4.2	7.25	9.5	8	2.5	40.5 / 28.5	13	M4	9.5	6	2.5
CGS2-64-1-FI-SA	150001030	42	35.5	2	4.2	7.25	9.5	8	2.5	40.5 / 28.5	13	M4	15.3	6	2
CGS2-64-1-FI-VH	150001036	42	35.5	2	4.2	7.25	9.5	8	2.5	40.5 / 28.5	13	M4	9.5	6	2.5
CGS2-64-2	150000914	42	17.5	2	4.2	7.25	9.5	8	2.5	34.5 / 28.5	13	M4	9.5	6	2.5
CGS2-64-2-SA	150001028	42	17.5	2	4.2	7.25	9.5	8	2.5	34.5 / 28.5	13	M4	15.3	6	2
CGS2-64-2-VH	150001034	42	17.5	2	4.2	7.25	9.5	8	2.5	34.5 / 28.5	13	M4	9.5	6	2.5
CGS2-64-2-FA	150000917	42	35.5	2	4.2	7.25	9.5	8	2.5	34.5 / 28.5	13	M4	9.5	6	2.5
CGS2-64-2-FA-SA	150001031	42	35.5	2	4.2	7.25	9.5	8	2.5	34.5 / 28.5	13	M4	15.3	6	2
CGS2-64-2-FA-VH	150001037	42	35.5	2	4.2	7.25	9.5	8	2.5	34.5 / 28.5	13	M4	9.5	6	2.5
CGS2-64-2-FI	150000918	42	35.5	2	4.2	7.25	9.5	8	2.5	34.5 / 28.5	13	M4	9.5	6	2.5
CGS2-64-2-FI-SA	150001032	42	35.5	2	4.2	7.25	9.5	8	2.5	34.5 / 28.5	13	M4	15.3	6	2
CGS2-64-2-FI-VH	150001038	42	35.5	2	4.2	7.25	9.5	8	2.5	34.5 / 28.5	13	M4	9.5	6	2.5

Dimensions

Gripper dimensions, gripper and gripper finger assembly

CGS2-80 | CGS2-100 | CGS2-125

Type	Item no.	Gripper dimensions [mm]							Gripper assembly									
		BB	BGF	HGF	HGK 1	HGK 2	LGF	LGK	Gripper assembly standard [mm]									
									AMG 1	AMG 2	AB	MGG	TMGG	DMG ∅	DSMG ∅	TSMG	DPHG ∅ h6	HPHG
CGS2-80-1	150000907	15	42	49	20	48	96	63	52	32	4	M5	13	4.2	7.3	22	8	2
CGS2-80-1-SA	150001053	24	42	54.5	20	48	116	63	52	32	4	M5	13	4.2	7.3	22	8	2
CGS2-80-1-VH	150001059	15	42	49	20	48	96	63	52	32	4	M5	13	4.2	7.3	22	8	2
CGS2-80-1-FA	150000909	15	42	71.5	42.5	70.5	96	63	52	32	4	M5	13	4.2	7.3	22	8	2
CGS2-80-1-FA-SA	150001055	24	42	77	42.5	70.5	116	63	52	32	4	M5	13	4.2	7.3	22	8	2
CGS2-80-1-FA-VH	150001061	15	42	71.5	42.5	70.5	96	63	52	32	4	M5	13	4.2	7.3	22	8	2
CGS2-80-1-FI	150000910	15	42	71.5	42.5	70.5	96	63	52	32	4	M5	13	4.2	7.3	22	8	2
CGS2-80-1-FI-SA	150001056	24	42	77	42.5	70.5	116	63	52	32	4	M5	13	4.2	7.3	22	8	2
CGS2-80-1-FI-VH	150001062	15	42	71.5	42.5	70.5	96	63	52	32	4	M5	13	4.2	7.3	22	8	2
CGS2-80-2	150000908	15	42	49	20	48	96	63	52	32	4	M5	13	4.2	7.3	22	8	2
CGS2-80-2-SA	150001054	24	42	54.5	20	48	116	63	52	32	4	M5	13	4.2	7.3	22	8	2
CGS2-80-2-VH	150001060	15	42	49	20	48	96	63	52	32	4	M5	13	4.2	7.3	22	8	2
CGS2-80-2-FA	150000911	15	42	71.5	42.5	70.5	96	63	52	32	4	M5	13	4.2	7.3	22	8	2
CGS2-80-2-FA-SA	150001057	24	42	77	42.5	70.5	116	63	52	32	4	M5	13	4.2	7.3	22	8	2
CGS2-80-2-FA-VH	150001063	15	42	71.5	42.5	70.5	96	63	52	32	4	M5	13	4.2	7.3	22	8	2
CGS2-80-2-FI	150000912	15	42	71.5	42.5	70.5	96	63	52	32	4	M5	13	4.2	7.3	22	8	2
CGS2-80-2-FI-SA	150001058	24	42	77	42.5	70.5	116	63	52	32	4	M5	13	4.2	7.3	22	8	2
CGS2-80-2-FI-VH	150001064	15	42	71.5	42.5	70.5	96	63	52	32	4	M5	13	4.2	7.3	22	8	2
CGS2-100-1	150000901	18	50	55	24	54	120	81	66	38	4	M6	14	5	9	34.5	10	2
CGS2-100-1-SA	150001067	29	50	61.5	24	54	143	81	66	38	4	M6	14	5	9	34.5	10	2
CGS2-100-1-VH	150001073	18	50	55	24	54	120	81	66	38	4	M6	14	5	9	34.5	10	2
CGS2-100-1-FA	150000903	18	50	81	50	80	120	81	66	38	4	M6	14	5	9	34.5	10	2
CGS2-100-1-FA-SA	150001069	29	50	87.5	50	80	143	81	66	38	4	M6	14	5	9	34.5	10	2
CGS2-100-1-FA-VH	150001075	18	50	81	50	80	120	81	66	38	4	M6	14	5	9	34.5	10	2
CGS2-100-1-FI	150000904	18	50	81	50	80	120	81	66	38	4	M6	14	5	9	34.5	10	2
CGS2-100-1-FI-SA	150001070	29	50	87.5	50	80	143	81	66	38	4	M6	14	5	9	34.5	10	2
CGS2-100-1-FI-VH	150001076	18	50	81	50	80	120	81	66	38	4	M6	14	5	9	34.5	10	2
CGS2-100-2	150000902	18	50	55	24	54	120	81	66	38	4	M6	14	5	9	34.5	10	2
CGS2-100-2-SA	150001068	29	50	61.5	24	54	143	81	66	38	4	M6	14	5	9	34.5	10	2
CGS2-100-2-VH	150001074	18	50	55	24	54	120	81	66	38	4	M6	14	5	9	34.5	10	2
CGS2-100-2-FA	150000905	18	50	81	50	80	120	81	66	38	4	M6	14	5	9	34.5	10	2
CGS2-100-2-FA-SA	150001071	29	50	87.5	50	80	143	81	66	38	4	M6	14	5	9	34.5	10	2
CGS2-100-2-FA-VH	150001077	18	50	81	50	80	120	81	66	38	4	M6	14	5	9	34.5	10	2
CGS2-100-2-FI	150000906	18	50	81	50	80	120	81	66	38	4	M6	14	5	9	34.5	10	2
CGS2-100-2-FI-SA	150001072	29	50	87.5	50	80	143	81	66	38	4	M6	14	5	9	34.5	10	2
CGS2-100-2-FI-VH	150001078	18	50	81	50	80	120	81	66	38	4	M6	14	5	9	34.5	10	2
CGS2-125-1	150000893	20	60	63	26	62	151	100	82	45	4	M8	20	6.8	12	40	12	2
CGS2-125-1-SA	150001006	32	60	69.5	26	62	176	100	82	45	4	M8	20	6.8	12	40	12	2
CGS2-125-1-VH	150001013	20	60	63	26	62	151	100	82	45	4	M8	20	6.8	12	40	12	2
CGS2-125-1-FA	150000895	20	60	93	56	92	151	100	82	45	4	M8	20	6.8	12	40	12	2
CGS2-125-1-FA-SA	150001008	32	60	99.5	56	92	176	100	82	45	4	M8	20	6.8	12	40	12	2
CGS2-125-1-FA-VH	150001015	20	60	93	56	92	151	100	82	45	4	M8	20	6.8	12	40	12	2
CGS2-125-1-FI	150000896	20	60	93	56	92	151	100	82	45	4	M8	20	6.8	12	40	12	2
CGS2-125-1-FI-SA	150001009	32	60	99.5	56	92	176	100	82	45	4	M8	20	6.8	12	40	12	2
CGS2-125-1-FI-VH	150001016	20	60	93	56	92	151	100	82	45	4	M8	20	6.8	12	40	12	2
CGS2-125-2	150000894	20	60	63	26	62	151	100	82	45	4	M8	20	6.8	12	40	12	2
CGS2-125-2-SA	150001007	32	60	69.5	26	62	176	100	82	45	4	M8	20	6.8	12	40	12	2
CGS2-125-2-VH	150001014	20	60	63	26	62	151	100	82	45	4	M8	20	6.8	12	40	12	2
CGS2-125-2-FA	150000897	20	60	93	56	92	151	100	82	45	4	M8	20	6.8	12	40	12	2
CGS2-125-2-FA-SA	150001010	32	60	99.5	56	92	176	100	82	45	4	M8	20	6.8	12	40	12	2
CGS2-125-2-FA-VH	150001017	20	60	93	56	92	151	100	82	45	4	M8	20	6.8	12	40	12	2
CGS2-125-2-FI	150000898	20	60	93	56	92	151	100	82	45	4	M8	20	6.8	12	40	12	2
CGS2-125-2-FI-SA	150001011	32	60	99.5	56	92	176	100	82	45	4	M8	20	6.8	12	40	12	2
CGS2-125-2-FI-VH	150001018	20	60	93	56	92	151	100	82	45	4	M8	20	6.8	12	40	12	2

For explanation of abbreviations
and drawings see page 48-49

Type	Item no.	Gripper assembly								Gripper finger assembly [mm]					
		Lateral gripper mounting [mm]													
		AMGS	HMGS	ABSS	DMGS Ø	DSMGS Ø	TSMGS	DPS Ø H7	TPS	AMB 1 open / closed	AMB 2	DMB	TDMB	DPHB Ø h6	HPHB
CGS2-80-1	150000907	52	20	2	5.1	8.8	15	8	2.8	53 / 37	16	M5	12	8	2.1
CGS2-80-1-SA	150001053	52	20	2	5.1	8.8	15	8	2.8	53 / 37	16	M5	17.5	8	1.6
CGS2-80-1-VH	150001059	52	20	2	5.1	8.8	15	8	2.8	53 / 37	16	M5	12	8	2.1
CGS2-80-1-FA	150000909	52	42.5	2	5.1	8.8	15	8	2.8	53 / 37	16	M5	12	8	2.1
CGS2-80-1-FA-SA	150001055	52	42.5	2	5.1	8.8	15	8	2.8	53 / 37	16	M5	17.5	8	1.6
CGS2-80-1-FA-VH	150001061	52	42.5	2	5.1	8.8	15	8	2.8	53 / 37	16	M5	12	8	2.1
CGS2-80-1-FI	150000910	52	42.5	2	5.1	8.8	15	8	2.8	53 / 37	16	M5	12	8	2.1
CGS2-80-1-FI-SA	150001056	52	42.5	2	5.1	8.8	15	8	2.8	53 / 37	16	M5	17.5	8	1.6
CGS2-80-1-FI-VH	150001062	52	42.5	2	5.1	8.8	15	8	2.8	53 / 37	16	M5	12	8	2.1
CGS2-80-2	150000908	52	20	2	5.1	8.8	15	8	2.8	45 / 37	16	M5	12	8	2.1
CGS2-80-2-SA	150001054	52	20	2	5.1	8.8	15	8	2.8	45 / 37	16	M5	17.5	8	1.6
CGS2-80-2-VH	150001060	52	20	2	5.1	8.8	15	8	2.8	45 / 37	16	M5	12	8	2.1
CGS2-80-2-FA	150000911	52	42.5	2	5.1	8.8	15	8	2.8	45 / 37	16	M5	12	8	2.1
CGS2-80-2-FA-SA	150001057	52	42.5	2	5.1	8.8	15	8	2.8	45 / 37	16	M5	17.5	8	1.6
CGS2-80-2-FA-VH	150001063	52	42.5	2	5.1	8.8	15	8	2.8	45 / 37	16	M5	12	8	2.1
CGS2-80-2-FI	150000912	52	42.5	2	5.1	8.8	15	8	2.8	45 / 37	16	M5	12	8	2.1
CGS2-80-2-FI-SA	150001058	52	42.5	2	5.1	8.8	15	8	2.8	45 / 37	16	M5	17.5	8	1.6
CGS2-80-2-FI-VH	150001064	52	42.5	2	5.1	8.8	15	8	2.8	45 / 37	16	M5	12	8	2.1
CGS2-100-1	150000901	66	25	2	6.4	10.4	12.5	10	4	67 / 47	20	M6	13	10	3
CGS2-100-1-SA	150001067	66	25	2	6.4	10.4	12.5	10	4	67 / 47	20	M6	19.5	10	2.5
CGS2-100-1-VH	150001073	66	25	2	6.4	10.4	12.5	10	4	67 / 47	20	M6	13	10	3
CGS2-100-1-FA	150000903	66	51	2	6.4	10.4	12.5	10	4	67 / 47	20	M6	13	10	3
CGS2-100-1-FA-SA	150001069	66	51	2	6.4	10.4	12.5	10	4	67 / 47	20	M6	19.5	10	2.5
CGS2-100-1-FA-VH	150001075	66	51	2	6.4	10.4	12.5	10	4	67 / 47	20	M6	13	10	3
CGS2-100-1-FI	150000904	66	51	2	6.4	10.4	12.5	10	4	67 / 47	20	M6	13	10	3
CGS2-100-1-FI-SA	150001070	66	51	2	6.4	10.4	12.5	10	4	67 / 47	20	M6	19.5	10	2.5
CGS2-100-1-FI-VH	150001076	66	51	2	6.4	10.4	12.5	10	4	67 / 47	20	M6	13	10	3
CGS2-100-2	150000902	66	25	2	6.4	10.4	12.5	10	4	57 / 47	20	M6	13	10	3
CGS2-100-2-SA	150001068	66	25	2	6.4	10.4	12.5	10	4	57 / 47	20	M6	19.5	10	2.5
CGS2-100-2-VH	150001074	66	25	2	6.4	10.4	12.5	10	4	57 / 47	20	M6	13	10	3
CGS2-100-2-FA	150000905	66	51	2	6.4	10.4	12.5	10	4	57 / 47	20	M6	13	10	3
CGS2-100-2-FA-SA	150001071	66	51	2	6.4	10.4	12.5	10	4	57 / 47	20	M6	19.5	10	2.5
CGS2-100-2-FA-VH	150001077	66	51	2	6.4	10.4	12.5	10	4	57 / 47	20	M6	13	10	3
CGS2-100-2-FI	150000906	66	51	2	6.4	10.4	12.5	10	4	57 / 47	20	M6	13	10	3
CGS2-100-2-FI-SA	150001072	66	51	2	6.4	10.4	12.5	10	4	57 / 47	20	M6	19.5	10	2.5
CGS2-100-2-FI-VH	150001078	66	51	2	6.4	10.4	12.5	10	4	57 / 47	20	M6	13	10	3
CGS2-125-1	150000893	82	30	2	9	15	14	12	4	87 / 61	24	M6	14	10	3
CGS2-125-1-SA	150001006	82	30	2	9	15	14	12	4	87 / 61	24	M6	22.3	10	2.5
CGS2-125-1-VH	150001013	82	30	2	9	15	14	12	4	87 / 61	24	M6	14	10	3
CGS2-125-1-FA	150000895	82	60	2	9	15	14	12	4	87 / 61	24	M6	14	10	3
CGS2-125-1-FA-SA	150001008	82	60	2	9	15	14	12	4	87 / 61	24	M6	22.3	10	2.5
CGS2-125-1-FA-VH	150001015	82	60	2	9	15	14	12	4	87 / 61	24	M6	14	10	3
CGS2-125-1-FI	150000896	82	60	2	9	15	14	12	4	87 / 61	24	M6	14	10	3
CGS2-125-1-FI-SA	150001009	82	60	2	9	15	14	12	4	87 / 61	24	M6	22.3	10	2.5
CGS2-125-1-FI-VH	150001016	82	60	2	9	15	14	12	4	87 / 61	24	M6	14	10	3
CGS2-125-2	150000894	82	30	2	9	15	14	12	4	73 / 61	24	M6	14	10	3
CGS2-125-2-SA	150001007	82	30	2	9	15	14	12	4	73 / 61	24	M6	22.3	10	2.5
CGS2-125-2-VH	150001014	82	30	2	9	15	14	12	4	73 / 61	24	M6	14	10	3
CGS2-125-2-FA	150000897	82	60	2	9	15	14	12	4	73 / 61	24	M6	14	10	3
CGS2-125-2-FA-SA	150001010	82	60	2	9	15	14	12	4	73 / 61	24	M6	22.3	10	2.5
CGS2-125-2-FA-VH	150001017	82	60	2	9	15	14	12	4	73 / 61	24	M6	14	10	3
CGS2-125-2-FI	150000898	82	60	2	9	15	14	12	4	73 / 61	24	M6	14	10	3
CGS2-125-2-FI-SA	150001011	82	60	2	9	15	14	12	4	73 / 61	24	M6	22.3	10	2.5
CGS2-125-2-FI-VH	150001018	82	60	2	9	15	14	12	4	73 / 61	24	M6	14	10	3

Dimensions

Gripper dimensions, gripper and gripper finger assembly

CGS2-160 | CGS2-200 | CGS2-240

Type	Item no.	Gripper dimensions [mm]							Gripper assembly									
		BB	BGF	HGF	HGK 1	HGK 2	LGF	LGK	Gripper assembly standard [mm]									
								AMG 1	AMG 2	AB	MGG	TMGG	DMG Ø	DSMG Ø	TSMG	DPHG Ø h6	HPHG	
CGS2-160-1	150000956	26	72	77	32	76	192	125	100	56	4	M8	20	6.8	12	38	12	3
CGS2-160-1-SA	150001079	41	72	85.5	32	76	230	125	100	56	4	M8	20	6.8	12	38	12	3
CGS2-160-1-VH	150001086	26	72	77	32	76	192	125	100	56	4	M8	20	6.8	12	38	12	3
CGS2-160-1-FA	150000958	26	72	117	72	116	192	125	100	56	4	M8	20	6.8	12	38	12	3
CGS2-160-1-FA-SA	150001081	41	72	125.5	72	116	230	125	100	56	4	M8	20	6.8	12	38	12	3
CGS2-160-1-FA-VH	150001088	26	72	117	72	116	192	125	100	56	4	M8	20	6.8	12	38	12	3
CGS2-160-1-FI	150000959	26	72	117	72	116	192	125	100	56	4	M8	20	6.8	12	38	12	3
CGS2-160-1-FI-SA	150001082	41	72	125.5	72	116	230	125	100	56	4	M8	20	6.8	12	38	12	3
CGS2-160-1-FI-VH	150001089	26	72	117	72	116	192	125	100	56	4	M8	20	6.8	12	38	12	3
CGS2-160-2	150000957	26	72	77	32	76	192	125	100	56	4	M8	20	6.8	12	38	12	3
CGS2-160-2-SA	150001080	41	72	85.5	32	76	230	125	100	56	4	M8	20	6.8	12	38	12	3
CGS2-160-2-VH	150001087	26	72	77	32	76	192	125	100	56	4	M8	20	6.8	12	38	12	3
CGS2-160-2-FA	150000960	26	72	117	72	116	192	125	100	56	4	M8	20	6.8	12	38	12	3
CGS2-160-2-FA-SA	150001083	41	72	125.5	72	116	230	125	100	56	4	M8	20	6.8	12	38	12	3
CGS2-160-2-FA-VH	150001090	26	72	117	72	116	192	125	100	56	4	M8	20	6.8	12	38	12	3
CGS2-160-2-FI	150000961	26	72	117	72	116	192	125	100	56	4	M8	20	6.8	12	38	12	3
CGS2-160-2-FI-SA	150001084	41	72	125.5	72	116	230	125	100	56	4	M8	20	6.8	12	38	12	3
CGS2-160-2-FI-VH	150001091	26	72	117	72	116	192	125	100	56	4	M8	20	6.8	12	38	12	3
CGS2-200-1	150000932	34	100	91	38	90	234	154	130	70	4	M10	25	8.5	14	65	14	4
CGS2-200-1-SA	150001093	45	100	99.5	38	90	254	154	130	70	4	M10	25	8.5	14	65	14	4
CGS2-200-1-VH	150001100	34	100	91	38	90	234	154	130	70	4	M10	25	8.5	14	65	14	4
CGS2-200-1-FA	150000934	34	100	141	88	140	234	154	130	70	4	M10	25	8.5	14	65	14	4
CGS2-200-1-FA-SA	150001095	45	100	149.5	88	140	254	154	130	70	4	M10	25	8.5	14	65	14	4
CGS2-200-1-FA-VH	150001102	34	100	141	88	140	234	154	130	70	4	M10	25	8.5	14	65	14	4
CGS2-200-1-FI	150000935	34	100	141	88	140	234	154	130	70	4	M10	25	8.5	14	65	14	4
CGS2-200-1-FI-SA	150001096	45	100	149.5	88	140	254	154	130	70	4	M10	25	8.5	14	65	14	4
CGS2-200-1-FI-VH	150001103	34	100	141	88	140	234	154	130	70	4	M10	25	8.5	14	65	14	4
CGS2-200-2	150000933	34	100	91	38	90	234	154	130	70	4	M10	25	8.5	14	65	14	4
CGS2-200-2-SA	150001094	45	100	99.5	38	90	254	154	130	70	4	M10	25	8.5	14	65	14	4
CGS2-200-2-VH	150001101	34	100	91	38	90	234	154	130	70	4	M10	25	8.5	14	65	14	4
CGS2-200-2-FA	150000936	34	100	141	88	140	234	154	130	70	4	M10	25	8.5	14	65	14	4
CGS2-200-2-FA-SA	150001097	45	100	149.5	88	140	254	154	130	70	4	M10	25	8.5	14	65	14	4
CGS2-200-2-FA-VH	150001104	34	100	141	88	140	234	154	130	70	4	M10	25	8.5	14	65	14	4
CGS2-200-2-FI	150000937	34	100	141	88	140	234	154	130	70	4	M10	25	8.5	14	65	14	4
CGS2-200-2-FI-SA	150001098	45	100	149.5	88	140	254	154	130	70	4	M10	25	8.5	14	65	14	4
CGS2-200-2-FI-VH	150001105	34	100	141	88	140	234	154	130	70	4	M10	25	8.5	14	65	14	4
CGS2-240-1	150000962	38	115	107	49	106	270	186	160	80	4	M12	28	10.2	18	78	16	4
CGS2-240-1-SA	150001106	51	115	115.5	49	106	292	186	160	80	4	M12	28	10.2	18	78	16	4
CGS2-240-1-VH	150001113	38	115	107	49	106	270	186	160	80	4	M12	28	10.2	18	78	16	4
CGS2-240-1-FA	150000964	38	115	163.5	105.5	162.5	270	186	160	80	4	M12	28	10.2	18	78	16	4
CGS2-240-1-FA-SA	150001108	51	115	172	105.5	162.5	292	186	160	80	4	M12	28	10.2	18	78	16	4
CGS2-240-1-FA-VH	150001115	38	115	163.5	105.5	162.5	270	186	160	80	4	M12	28	10.2	18	78	16	4
CGS2-240-1-FI	150000965	38	115	163.5	105.5	162.5	270	186	160	80	4	M12	28	10.2	18	78	16	4
CGS2-240-1-FI-SA	150001109	51	115	172	105.5	162.5	292	186	160	80	4	M12	28	10.2	18	78	16	4
CGS2-240-1-FI-VH	150001116	38	115	163.5	105.5	162.5	270	186	160	80	4	M12	28	10.2	18	78	16	4
CGS2-240-2	150000963	38	115	107	49	106	270	186	160	80	4	M12	28	10.2	18	78	16	4
CGS2-240-2-SA	150001107	51	115	115.5	49	106	292	186	160	80	4	M12	28	10.2	18	78	16	4
CGS2-240-2-VH	150001114	38	115	107	49	106	270	186	160	80	4	M12	28	10.2	18	78	16	4
CGS2-240-2-FA	150000966	38	115	163.5	105.5	162.5	270	186	160	80	4	M12	28	10.2	18	78	16	4
CGS2-240-2-FA-SA	150001110	51	115	172	105.5	162.5	292	186	160	80	4	M12	28	10.2	18	78	16	4
CGS2-240-2-FA-VH	150001117	38	115	163.5	105.5	162.5	270	186	160	80	4	M12	28	10.2	18	78	16	4
CGS2-240-2-FI	150000967	38	115	163.5	105.5	162.5	270	186	160	80	4	M12	28	10.2	18	78	16	4
CGS2-240-2-FI-SA	150001111	51	115	172	105.5	162.5	292	186	160	80	4	M12	28	10.2	18	78	16	4
CGS2-240-2-FI-VH	150001118	38	115	163.5	105.5	162.5	270	186	160	80	4	M12	28	10.2	18	78	16	4

For explanation of abbreviations
and drawings see page 48-49

Type	Item no.	Gripper assembly								Gripper finger assembly [mm]					
		Lateral gripper mounting [mm]													
		AMGS	HMGS	ABSS	DMGS Ø	DSMGS Ø	TSMGS	DPS Ø H7	TPS	AMB 1 open / closed	AMB 2	DMB	TDMB	DPHB Ø h6	HPHB
CGS2-160-1	150000956	100	28	2	9	15	14	12	4	109 / 77	32	M10	24	14	4
CGS2-160-1-SA	150001079	100	28	2	9	15	14	12	4	109 / 77	32	M10	35.3	14	4.5
CGS2-160-1-VH	150001086	100	28	2	9	15	14	12	4	109 / 77	32	M10	24	14	4
CGS2-160-1-FA	150000958	100	68	2	9	15	14	12	4	109 / 77	32	M10	24	14	4
CGS2-160-1-FA-SA	150001081	100	68	2	9	15	14	12	4	109 / 77	32	M10	35.3	14	4.5
CGS2-160-1-FA-VH	150001088	100	68	2	9	15	14	12	4	109 / 77	32	M10	24	14	4
CGS2-160-1-FI	150000959	100	68	2	9	15	14	12	4	109 / 77	32	M10	24	14	4
CGS2-160-1-FI-SA	150001082	100	68	2	9	15	14	12	4	109 / 77	32	M10	35.3	14	4.5
CGS2-160-1-FI-VH	150001089	100	68	2	9	15	14	12	4	109 / 77	32	M10	24	14	4
CGS2-160-2	150000957	100	28	2	9	15	14	12	4	93 / 77	32	M10	24	14	4
CGS2-160-2-SA	150001080	100	28	2	9	15	14	12	4	93 / 77	32	M10	35.3	14	4.5
CGS2-160-2-VH	150001087	100	28	2	9	15	14	12	4	93 / 77	32	M10	24	14	4
CGS2-160-2-FA	150000960	100	68	2	9	15	14	12	4	93 / 77	32	M10	24	14	4
CGS2-160-2-FA-SA	150001083	100	68	2	9	15	14	12	4	93 / 77	32	M10	35.3	14	4.5
CGS2-160-2-FA-VH	150001090	100	68	2	9	15	14	12	4	93 / 77	32	M10	24	14	4
CGS2-160-2-FI	150000961	100	68	2	9	15	14	12	4	93 / 77	32	M10	24	14	4
CGS2-160-2-FI-SA	150001084	100	68	2	9	15	14	12	4	93 / 77	32	M10	35.3	14	4.5
CGS2-160-2-FI-VH	150001091	100	68	2	9	15	14	12	4	93 / 77	32	M10	24	14	4
CGS2-200-1	150000932	130	34	2	10.2	17	23	14	5	126 / 76	40	M12	23	16	4
CGS2-200-1-SA	150001093	130	34	2	10.2	17	23	14	5	126 / 76	40	M12	31.5	16	4.5
CGS2-200-1-VH	150001100	130	34	2	10.2	17	23	14	5	126 / 76	40	M12	23	16	4
CGS2-200-1-FA	150000934	130	84	2	10.2	17	23	14	5	126 / 76	40	M12	23	16	4
CGS2-200-1-FA-SA	150001095	130	84	2	10.2	17	23	14	5	126 / 76	40	M12	31.5	16	4.5
CGS2-200-1-FA-VH	150001102	130	84	2	10.2	17	23	14	5	126 / 76	40	M12	23	16	4
CGS2-200-1-FI	150000935	130	84	2	10.2	17	23	14	5	126 / 76	40	M12	23	16	4
CGS2-200-1-FI-SA	150001096	130	84	2	10.2	17	23	14	5	126 / 76	40	M12	31.5	16	4.5
CGS2-200-1-FI-VH	150001103	130	84	2	10.2	17	23	14	5	126 / 76	40	M12	23	16	4
CGS2-200-2	150000933	130	34	2	10.2	17	23	14	5	104 / 76	40	M12	23	16	4
CGS2-200-2-SA	150001094	130	34	2	10.2	17	23	14	5	104 / 76	40	M12	31.5	16	4.5
CGS2-200-2-VH	150001101	130	34	2	10.2	17	23	14	5	104 / 76	40	M12	23	16	4
CGS2-200-2-FA	150000936	130	84	2	10.2	17	23	14	5	104 / 76	40	M12	23	16	4
CGS2-200-2-FA-SA	150001097	130	84	2	10.2	17	23	14	5	104 / 76	40	M12	31.5	16	4.5
CGS2-200-2-FA-VH	150001104	130	84	2	10.2	17	23	14	5	104 / 76	40	M12	23	16	4
CGS2-200-2-FI	150000937	130	84	2	10.2	17	23	14	5	104 / 76	40	M12	23	16	4
CGS2-200-2-FI-SA	150001098	130	84	2	10.2	17	23	14	5	104 / 76	40	M12	31.5	16	4.5
CGS2-200-2-FI-VH	150001105	130	84	2	10.2	17	23	14	5	104 / 76	40	M12	23	16	4
CGS2-240-1	150000962	160	39	2	12.5	20	30	16	5	153.5 / 93.5	44	M12	29	16	4
CGS2-240-1-SA	150001106	160	39	2	12.5	20	30	16	5	153.5 / 93.5	44	M12	37.5	16	4.5
CGS2-240-1-VH	150001113	160	39	2	12.5	20	30	16	5	153.5 / 93.5	44	M12	29	16	4
CGS2-240-1-FA	150000964	160	95.5	2	12.5	20	30	16	5	153.5 / 93.5	44	M12	29	16	4
CGS2-240-1-FA-SA	150001108	160	95.5	2	12.5	20	30	16	5	153.5 / 93.5	44	M12	37.5	16	4.5
CGS2-240-1-FA-VH	150001115	160	95.5	2	12.5	20	30	16	5	153.5 / 93.5	44	M12	29	16	4
CGS2-240-1-FI	150000965	160	95.5	2	12.5	20	30	16	5	153.5 / 93.5	44	M12	29	16	4
CGS2-240-1-FI-SA	150001109	160	95.5	2	12.5	20	30	16	5	153.5 / 93.5	44	M12	37.5	16	4.5
CGS2-240-1-FI-VH	150001116	160	95.5	2	12.5	20	30	16	5	153.5 / 93.5	44	M12	29	16	4
CGS2-240-2	150000963	160	39	2	12.5	20	30	16	5	127.5 / 93.5	44	M12	29	16	4
CGS2-240-2-SA	150001107	160	39	2	12.5	20	30	16	5	127.5 / 93.5	44	M12	37.5	16	4.5
CGS2-240-2-VH	150001114	160	39	2	12.5	20	30	16	5	127.5 / 93.5	44	M12	29	16	4
CGS2-240-2-FA	150000966	160	95.5	2	12.5	20	30	16	5	127.5 / 93.5	44	M12	29	16	4
CGS2-240-2-FA-SA	150001110	160	95.5	2	12.5	20	30	16	5	127.5 / 93.5	44	M12	37.5	16	4.5
CGS2-240-2-FA-VH	150001117	160	95.5	2	12.5	20	30	16	5	127.5 / 93.5	44	M12	29	16	4
CGS2-240-2-FI	150000967	160	95.5	2	12.5	20	30	16	5	127.5 / 93.5	44	M12	29	16	4
CGS2-240-2-FI-SA	150001111	160	95.5	2	12.5	20	30	16	5	127.5 / 93.5	44	M12	37.5	16	4.5
CGS2-240-2-FI-VH	150001118	160	95.5	2	12.5	20	30	16	5	127.5 / 93.5	44	M12	29	16	4

Dimensions

Gripper dimensions, gripper and gripper finger assembly

CGS2-300 | CGS2-380

Type	Item no.	Gripper dimensions [mm]							Gripper assembly									
		BB	BGF	HGF	HGK 1	HGK 2	LGF	LGK	Gripper assembly standard [mm]									
									AMG 1	AMG 2	AB	MGG	TMGG	DMG Ø	DSMG Ø	TSMG	DPHG Ø h6	HPHG
CGS2-300-1	150000938	45	140	122	51	121	320	210	180	96	4	M16	31	14	20	90	22	6
CGS2-300-1-SA	150001132	66	140	135.5	51	121	348	210	180	96	4	M16	31	14	20	90	22	6
CGS2-300-1-VH	150001139	45	140	122	51	121	320	210	180	96	4	M16	31	14	20	90	22	6
CGS2-300-1-FA	150000940	45	140	172	101	171	320	210	180	96	4	M16	31	14	20	90	22	6
CGS2-300-1-FA-SA	150001134	66	140	185.5	101	171	348	210	180	96	4	M16	31	14	20	90	22	6
CGS2-300-1-FA-VH	150001141	45	140	172	101	171	320	210	180	96	4	M16	31	14	20	90	22	6
CGS2-300-1-FI	150000941	45	140	172	101	171	320	210	180	96	4	M16	31	14	20	90	22	6
CGS2-300-1-FI-SA	150001135	66	140	185.5	101	171	348	210	180	96	4	M16	31	14	20	90	22	6
CGS2-300-1-FI-VH	150001142	45	140	172	101	171	320	210	180	96	4	M16	31	14	20	90	22	6
CGS2-300-2	150000939	45	140	122	51	121	320	210	180	96	4	M16	31	14	20	90	22	6
CGS2-300-2-SA	150001133	66	140	135.5	51	121	348	210	180	96	4	M16	31	14	20	90	22	6
CGS2-300-2-VH	150001140	45	140	122	51	121	320	210	180	96	4	M16	31	14	20	90	22	6
CGS2-300-2-FA	150000942	45	140	172	101	171	320	210	180	96	4	M16	31	14	20	90	22	6
CGS2-300-2-FA-SA	150001136	66	140	185.5	101	171	348	210	180	96	4	M16	31	14	20	90	22	6
CGS2-300-2-FA-VH	150001143	45	140	172	101	171	320	210	180	96	4	M16	31	14	20	90	22	6
CGS2-300-2-FI	150000943	45	140	172	101	171	320	210	180	96	4	M16	31	14	20	90	22	6
CGS2-300-2-FI-SA	150001137	66	140	185.5	101	171	348	210	180	96	4	M16	31	14	20	90	22	6
CGS2-300-2-FI-VH	150001144	45	140	172	101	171	320	210	180	96	4	M16	31	14	20	90	22	6
CGS2-380-1	150000970	58	170	155	68	153	410	285	250	116	4	M20	40	17.5	26	113	28	7
CGS2-380-1-SA	150001119	80	170	172.5	68	153	440	285	250	116	4	M20	40	17.5	26	113	28	7
CGS2-380-1-VH	150001126	58	170	155	68	153	410	285	250	116	4	M20	40	17.5	26	113	28	7
CGS2-380-1-FA	150000972	58	170	226.5	139.5	224.5	410	285	250	116	4	M20	40	17.5	26	113	28	7
CGS2-380-1-FA-SA	150001121	80	170	244.5	139.5	224.5	440	285	250	116	4	M20	40	17.5	26	113	28	7
CGS2-380-1-FA-VH	150001128	58	170	226.5	139.5	224.5	410	285	250	116	4	M20	40	17.5	26	113	28	7
CGS2-380-1-FI	150000973	58	170	226.5	139.5	224.5	410	285	250	116	4	M20	40	17.5	26	113	28	7
CGS2-380-1-FI-SA	150001122	80	170	244.5	139.5	224.5	440	285	250	116	4	M20	40	17.5	26	113	28	7
CGS2-380-1-FI-VH	150001129	58	170	226.5	139.5	224.5	410	285	250	116	4	M20	40	17.5	26	113	28	7
CGS2-380-2	150000971	58	170	155	68	153	410	285	250	116	4	M20	40	17.5	26	113	28	7
CGS2-380-2-SA	150001120	80	170	172.5	68	153	440	285	250	116	4	M20	40	17.5	26	113	28	7
CGS2-380-2-VH	150001127	58	170	155	68	153	410	285	250	116	4	M20	40	17.5	26	113	28	7
CGS2-380-2-FA	150000974	58	170	226.5	139.5	224.5	410	285	250	116	4	M20	40	17.5	26	113	28	7
CGS2-380-2-FA-SA	150001123	80	170	244.5	139.5	224.5	440	285	250	116	4	M20	40	17.5	26	113	28	7
CGS2-380-2-FA-VH	150001130	58	170	226.5	139.5	224.5	410	285	250	116	4	M20	40	17.5	26	113	28	7
CGS2-380-2-FI	150000975	58	170	226.5	139.5	224.5	410	285	250	116	4	M20	40	17.5	26	113	28	7
CGS2-380-2-FI-SA	150001124	80	170	244.5	139.5	224.5	440	285	250	116	4	M20	40	17.5	26	113	28	7
CGS2-380-2-FI-VH	150001131	58	170	226.5	139.5	224.5	410	285	250	116	4	M20	40	17.5	26	113	28	7

For explanation of abbreviations
and drawings see page 48-49

Type	Item no.	Gripper assembly								Gripper finger assembly [mm]					
		Lateral gripper mounting [mm]													
		AMGS	HMGS	ABSS	DMGS Ø	DSMGS Ø	TSMGS	DPS Ø H7	TPS	AMB 1 open / closed	AMB 2	DMB	TDMB	DPHB Ø h6	HPHB
CGS2-300-1	150000938	180	45	2	16.2	25	36	22	7	195 / 125	46	M16	39	22	6
CGS2-300-1-SA	150001132	180	45	2	16.2	25	36	22	7	195 / 125	46	M16	52.5	22	5.5
CGS2-300-1-VH	150001139	180	45	2	16.2	25	36	22	7	195 / 125	46	M16	39	22	6
CGS2-300-1-FA	150000940	180	95	2	16.2	25	36	22	7	195 / 125	46	M16	39	22	6
CGS2-300-1-FA-SA	150001134	180	95	2	16.2	25	36	22	7	195 / 125	46	M16	52.5	22	5.5
CGS2-300-1-FA-VH	150001141	180	95	2	16.2	25	36	22	7	195 / 125	46	M16	39	22	6
CGS2-300-1-FI	150000941	180	95	2	16.2	25	36	22	7	195 / 125	46	M16	39	22	6
CGS2-300-1-FI-SA	150001135	180	95	2	16.2	25	36	22	7	195 / 125	46	M16	52.5	22	5.5
CGS2-300-1-FI-VH	150001142	180	95	2	16.2	25	36	22	7	195 / 125	46	M16	39	22	6
CGS2-300-2	150000939	180	45	2	16.2	25	36	22	7	165 / 125	46	M16	39	22	6
CGS2-300-2-SA	150001133	180	45	2	16.2	25	36	22	7	165 / 125	46	M16	52.5	22	5.5
CGS2-300-2-VH	150001140	180	45	2	16.2	25	36	22	7	165 / 125	46	M16	39	22	6
CGS2-300-2-FA	150000942	180	95	2	16.2	25	36	22	7	165 / 125	46	M16	39	22	6
CGS2-300-2-FA-SA	150001136	180	95	2	16.2	25	36	22	7	165 / 125	46	M16	52.5	22	5.5
CGS2-300-2-FA-VH	150001143	180	95	2	16.2	25	36	22	7	165 / 125	46	M16	39	22	6
CGS2-300-2-FI	150000943	180	95	2	16.2	25	36	22	7	165 / 125	46	M16	39	22	6
CGS2-300-2-FI-SA	150001137	180	95	2	16.2	25	36	22	7	165 / 125	46	M16	52.5	22	5.5
CGS2-300-2-FI-VH	150001144	180	95	2	16.2	25	36	22	7	165 / 125	46	M16	39	22	6
CGS2-380-1	150000970	250	60	2	20.2	32	58	28	11	236.5 / 146.5	64	M20	49	28	7
CGS2-380-1-SA	150001119	250	60	2	20.2	32	58	28	11	236.5 / 146.5	64	M20	66.5	28	7.5
CGS2-380-1-VH	150001126	250	60	2	20.2	32	58	28	11	236.5 / 146.5	64	M20	49	28	7
CGS2-380-1-FA	150000972	250	131.5	2	20.2	32	58	28	11	236.5 / 146.5	64	M20	49	28	7
CGS2-380-1-FA-SA	150001121	250	131.5	2	20.2	32	58	28	11	236.5 / 146.5	64	M20	66.5	28	7.5
CGS2-380-1-FA-VH	150001128	250	131.5	2	20.2	32	58	28	11	236.5 / 146.5	64	M20	49	28	7
CGS2-380-1-FI	150000973	250	131.5	2	20.2	32	58	28	11	236.5 / 146.5	64	M20	49	28	7
CGS2-380-1-FI-SA	150001122	250	131.5	2	20.2	32	58	28	11	236.5 / 146.5	64	M20	66.5	28	7.5
CGS2-380-1-FI-VH	150001129	250	131.5	2	20.2	32	58	28	11	236.5 / 146.5	64	M20	49	28	7
CGS2-380-2	150000971	250	60	2	20.2	32	58	28	11	198.5 / 146.5	64	M20	49	28	7
CGS2-380-2-SA	150001120	250	60	2	20.2	32	58	28	11	198.5 / 146.5	64	M20	66.5	28	7.5
CGS2-380-2-VH	150001127	250	60	2	20.2	32	58	28	11	198.5 / 146.5	64	M20	49	28	7
CGS2-380-2-FA	150000974	250	131.5	2	20.2	32	58	28	11	198.5 / 146.5	64	M20	49	28	7
CGS2-380-2-FA-SA	150001123	250	131.5	2	20.2	32	58	28	11	198.5 / 146.5	64	M20	66.5	28	7.5
CGS2-380-2-FA-VH	150001130	250	131.5	2	20.2	32	58	28	11	198.5 / 146.5	64	M20	49	28	7
CGS2-380-2-FI	150000975	250	131.5	2	20.2	32	58	28	11	198.5 / 146.5	64	M20	49	28	7
CGS2-380-2-FI-SA	150001124	250	131.5	2	20.2	32	58	28	11	198.5 / 146.5	64	M20	66.5	28	7.5
CGS2-380-2-FI-VH	150001131	250	131.5	2	20.2	32	58	28	11	198.5 / 146.5	64	M20	49	28	7

Dimensions

Air connections, mounting of custom attachment

CGS2-40 | CGS2-50 | CGS2-64

Type	Item no.	Air connections								Assembly custom attachment									
		Standard [mm]				altern. lateral [mm]		altern. below [mm]		Pocket for attachment [mm]			Mounting [mm]						
		LA	HLA	DLA	TDLA	ALAS	HA LAS	ALAU 1	ALAU 2	LTK	BTK	TTK	AMK 1	AMK 2	DMK	TDMK	DPHK Ø h6	HPHK	
CGS2-40	150000976	22	8	M3	5	22	8	20	6.8	14.7	22.2	1.5	9.5	15	M2	7	3.5	1	
CGS2-40-SA	150001019	22	8	M3	5	22	8	20	6.8	14.7	22.2	1.5	9.5	15	M2	7	3.5	1	
CGS2-40-VH	150001022	22	8	M3	5	22	8	20	6.8	14.7	22.2	1.5	9.5	15	M2	7	3.5	1	
CGS2-40-FA	150000977	22	17	M3	5	22	17	20	6.8	14.7	22.2	1.5	9.5	15	M2	7	3.5	1	
CGS2-40-FA-SA	150001020	22	17	M3	5	22	17	20	6.8	14.7	22.2	1.5	9.5	15	M2	7	3.5	1	
CGS2-40-FA-VH	150001023	22	17	M3	5	22	17	20	6.8	14.7	22.2	1.5	9.5	15	M2	7	3.5	1	
CGS2-40-FI	150000978	22	17	M3	5	22	17	10	6.8	14.7	22.2	1.5	9.5	15	M2	7	3.5	1	
CGS2-40-FI-SA	150001021	22	17	M3	5	22	17	10	6.8	14.7	22.2	1.5	9.5	15	M2	7	3.5	1	
CGS2-40-FI-VH	150001024	22	17	M3	5	22	17	10	6.8	14.7	22.2	1.5	9.5	15	M2	7	3.5	1	
CGS2-50-1	150000925	24	10	M5	6	24	10	22.6	8.7	18	26.5	1.5	11	20	M2.5	8	4	2.5	
CGS2-50-1-SA	150001039	24	10	M5	6	24	10	22.6	8.7	18	26.5	1.5	11	20	M2.5	8	4	2.5	
CGS2-50-1-VH	150001047	24	10	M5	6	24	10	22.6	8.7	18	26.5	1.5	11	20	M2.5	8	4	2.5	
CGS2-50-1-FA	150000927	24	26	M5	6	24	26	22.6	8.7	18	26.5	1.5	11	20	M2.5	8	4	2.5	
CGS2-50-1-FA-SA	150001041	24	26	M5	6	24	26	22.6	8.7	18	26.5	1.5	11	20	M2.5	8	4	2.5	
CGS2-50-1-FA-VH	150001049	24	26	M5	6	24	26	22.6	8.7	18	26.5	1.5	11	20	M2.5	8	4	2.5	
CGS2-50-1-FI	150000928	24	26	M5	6	24	26	22.6	8.7	18	26.5	1.5	11	20	M2.5	8	4	2.5	
CGS2-50-1-FI-SA	150001042	24	26	M5	6	24	26	22.6	8.7	18	26.5	1.5	11	20	M2.5	8	4	2.5	
CGS2-50-1-FI-VH	150001050	24	26	M5	6	24	26	22.6	8.7	18	26.5	1.5	11	20	M2.5	8	4	2.5	
CGS2-50-2	150000926	24	10	M5	6	24	10	22.6	8.7	18	26.5	1.5	11	20	M2.5	8	4	2.5	
CGS2-50-2-SA	150001040	24	10	M5	6	24	10	22.6	8.7	18	26.5	1.5	11	20	M2.5	8	4	2.5	
CGS2-50-2-VH	150001048	24	10	M5	6	24	10	22.6	8.7	18	26.5	1.5	11	20	M2.5	8	4	2.5	
CGS2-50-2-FA	150000929	24	26	M5	6	24	26	22.6	8.7	18	26.5	1.5	11	20	M2.5	8	4	2.5	
CGS2-50-2-FA-SA	150001043	24	26	M5	6	24	26	22.6	8.7	18	26.5	1.5	11	20	M2.5	8	4	2.5	
CGS2-50-2-FA-VH	150001051	24	26	M5	6	24	26	22.6	8.7	18	26.5	1.5	11	20	M2.5	8	4	2.5	
CGS2-50-2-FI	150000930	24	26	M5	6	24	26	22.6	8.7	18	26.5	1.5	11	20	M2.5	8	4	2.5	
CGS2-50-2-FI-SA	150001044	24	26	M5	6	24	26	22.6	8.7	18	26.5	1.5	11	20	M2.5	8	4	2.5	
CGS2-50-2-FI-VH	150001052	24	26	M5	6	24	26	22.6	8.7	18	26.5	1.5	11	20	M2.5	8	4	2.5	
CGS2-64-1	150000913	31	10	M5	6	31	10	27	10	20.2	31	1.5	12	22	M2.5	10	4	1.9	
CGS2-64-1-SA	150001027	31	10	M5	6	31	10	27	10	20.2	31	1.5	12	22	M2.5	10	4	1.9	
CGS2-64-1-VH	150001033	31	10	M5	6	31	10	27	10	20.2	31	1.5	12	22	M2.5	10	4	1.9	
CGS2-64-1-FA	150000915	31	28	M5	6	31	28	27	10	20.2	31	1.5	12	22	M2.5	10	4	1.9	
CGS2-64-1-FA-SA	150001029	31	28	M5	6	31	28	27	10	20.2	31	1.5	12	22	M2.5	10	4	1.9	
CGS2-64-1-FA-VH	150001035	31	28	M5	6	31	28	27	10	20.2	31	1.5	12	22	M2.5	10	4	1.9	
CGS2-64-1-FI	150000916	31	28	M5	6	31	28	27	10	20.2	31	1.5	12	22	M2.5	10	4	1.9	
CGS2-64-1-FI-SA	150001030	31	28	M5	6	31	28	27	10	20.2	31	1.5	12	22	M2.5	10	4	1.9	
CGS2-64-1-FI-VH	150001036	31	28	M5	6	31	28	27	10	20.2	31	1.5	12	22	M2.5	10	4	1.9	
CGS2-64-2	150000914	31	10	M5	6	31	10	27	10	20.2	31	1.5	12	22	M2.5	10	4	1.9	
CGS2-64-2-SA	150001028	31	10	M5	6	31	10	27	10	20.2	31	1.5	12	22	M2.5	10	4	1.9	
CGS2-64-2-VH	150001034	31	10	M5	6	31	10	27	10	20.2	31	1.5	12	22	M2.5	10	4	1.9	
CGS2-64-2-FA	150000917	31	28	M5	6	31	28	27	10	20.2	31	1.5	12	22	M2.5	10	4	1.9	
CGS2-64-2-FA-SA	150001031	31	28	M5	6	31	28	27	10	20.2	31	1.5	12	22	M2.5	10	4	1.9	
CGS2-64-2-FA-VH	150001037	31	28	M5	6	31	28	27	10	20.2	31	1.5	12	22	M2.5	10	4	1.9	
CGS2-64-2-FI	150000918	31	28	M5	6	31	28	27	10	20.2	31	1.5	12	22	M2.5	10	4	1.9	
CGS2-64-2-FI-SA	150001032	31	28	M5	6	31	28	27	10	20.2	31	1.5	12	22	M2.5	10	4	1.9	
CGS2-64-2-FI-VH	150001038	31	28	M5	6	31	28	27	10	20.2	31	1.5	12	22	M2.5	10	4	1.9	

For explanation of abbreviations
and drawings see page 48-49

CGS2-80 | CGS2-100 | CGS2-125

Type	Item no.	Air connections								Assembly custom attachment								
		Standard [mm]				altern. lateral [mm]		altern. below [mm]		Pocket for attachment [mm]			Mounting [mm]					
		LA	HLA	DLA	TDLA	ALAS	HALAS	ALAU 1	ALAU 2	LTK	BTK	TTK	AMK 1	AMK 2	DMK	TDMK	DPHK Ø h6	HPHK
CGS2-80-1	150000907	40	12	M5	7	40	12	37	12	25	38	1.5	16	30	M2.5	8.5	4	2.5
CGS2-80-1-SA	150001053	40	12	M5	7	40	12	37	12	25	38	1.5	16	30	M2.5	8.5	4	2.5
CGS2-80-1-VH	150001059	40	12	M5	7	40	12	37	12	25	38	1.5	16	30	M2.5	8.5	4	2.5
CGS2-80-1-FA	150000909	40	34.5	M5	7	40	34.5	37	12	25	38	1.5	16	30	M2.5	8.5	4	2.5
CGS2-80-1-FA-SA	150001055	40	34.5	M5	7	40	34.5	37	12	25	38	1.5	16	30	M2.5	8.5	4	2.5
CGS2-80-1-FA-VH	150001061	40	34.5	M5	7	40	34.5	37	12	25	38	1.5	16	30	M2.5	8.5	4	2.5
CGS2-80-1-FI	150000910	40	34.5	M5	7	40	34.5	37	12	25	38	1.5	16	30	M2.5	8.5	4	2.5
CGS2-80-1-FI-SA	150001056	40	34.5	M5	7	40	34.5	37	12	25	38	1.5	16	30	M2.5	8.5	4	2.5
CGS2-80-1-FI-VH	150001062	40	34.5	M5	7	40	34.5	37	12	25	38	1.5	16	30	M2.5	8.5	4	2.5
CGS2-80-2	150000908	40	12	M5	7	40	12	37	12	25	38	1.5	16	30	M2.5	8.5	4	2.5
CGS2-80-2-SA	150001054	40	12	M5	7	40	12	37	12	25	38	1.5	16	30	M2.5	8.5	4	2.5
CGS2-80-2-VH	150001060	40	12	M5	7	40	12	37	12	25	38	1.5	16	30	M2.5	8.5	4	2.5
CGS2-80-2-FA	150000911	40	34.5	M5	7	40	34.5	37	12	25	38	1.5	16	30	M2.5	8.5	4	2.5
CGS2-80-2-FA-SA	150001057	40	34.5	M5	7	40	34.5	37	12	25	38	1.5	16	30	M2.5	8.5	4	2.5
CGS2-80-2-FA-VH	150001063	40	34.5	M5	7	40	34.5	37	12	25	38	1.5	16	30	M2.5	8.5	4	2.5
CGS2-80-2-FI	150000912	40	34.5	M5	7	40	34.5	37	12	25	38	1.5	16	30	M2.5	8.5	4	2.5
CGS2-80-2-FI-SA	150001058	40	34.5	M5	7	40	34.5	37	12	25	38	1.5	16	30	M2.5	8.5	4	2.5
CGS2-80-2-FI-VH	150001064	40	34.5	M5	7	40	34.5	37	12	25	38	1.5	16	30	M2.5	8.5	4	2.5
CGS2-100-1	150000901	49	15	G1/8"	7	49	15	47.4	17	33	46	1.5	23	37	M3	8.5	5	2.5
CGS2-100-1-SA	150001067	49	15	G1/8"	7	49	15	47.4	17	33	46	1.5	23	37	M3	8.5	5	2.5
CGS2-100-1-VH	150001073	49	15	G1/8"	7	49	15	47.4	17	33	46	1.5	23	37	M3	8.5	5	2.5
CGS2-100-1-FA	150000903	49	41	G1/8"	7	49	41	47.4	17	33	46	1.5	23	37	M3	8.5	5	2.5
CGS2-100-1-FA-SA	150001069	49	41	G1/8"	7	49	41	47.4	17	33	46	1.5	23	37	M3	8.5	5	2.5
CGS2-100-1-FA-VH	150001075	49	41	G1/8"	7	49	41	47.4	17	33	46	1.5	23	37	M3	8.5	5	2.5
CGS2-100-1-FI	150000904	49	41	G1/8"	7	49	41	47.4	17	33	46	1.5	23	37	M3	8.5	5	2.5
CGS2-100-1-FI-SA	150001070	49	41	G1/8"	7	49	41	47.4	17	33	46	1.5	23	37	M3	8.5	5	2.5
CGS2-100-1-FI-VH	150001076	49	41	G1/8"	7	49	41	47.4	17	33	46	1.5	23	37	M3	8.5	5	2.5
CGS2-100-2	150000902	49	15	G1/8"	7	49	15	47.4	17	33	46	1.5	23	37	M3	8.5	5	2.5
CGS2-100-2-SA	150001068	49	15	G1/8"	7	49	15	47.4	17	33	46	1.5	23	37	M3	8.5	5	2.5
CGS2-100-2-VH	150001074	49	15	G1/8"	7	49	15	47.4	17	33	46	1.5	23	37	M3	8.5	5	2.5
CGS2-100-2-FA	150000905	49	41	G1/8"	7	49	41	47.4	17	33	46	1.5	23	37	M3	8.5	5	2.5
CGS2-100-2-FA-SA	150001071	49	41	G1/8"	7	49	41	47.4	17	33	46	1.5	23	37	M3	8.5	5	2.5
CGS2-100-2-FA-VH	150001077	49	41	G1/8"	7	49	41	47.4	17	33	46	1.5	23	37	M3	8.5	5	2.5
CGS2-100-2-FI	150000906	49	41	G1/8"	7	49	41	47.4	17	33	46	1.5	23	37	M3	8.5	5	2.5
CGS2-100-2-FI-SA	150001072	49	41	G1/8"	7	49	41	47.4	17	33	46	1.5	23	37	M3	8.5	5	2.5
CGS2-100-2-FI-VH	150001078	49	41	G1/8"	7	49	41	47.4	17	33	46	1.5	23	37	M3	8.5	5	2.5
CGS2-125-1	150000893	63	15	G1/8"	8	63	15	61	20	44.2	44.2	2	18	35	M4	13	6	2.5
CGS2-125-1-SA	150001006	63	15	G1/8"	8	63	15	61	20	44.2	44.2	2	18	35	M4	13	6	2.5
CGS2-125-1-VH	150001013	63	15	G1/8"	8	63	15	61	20	44.2	44.2	2	18	35	M4	13	6	2.5
CGS2-125-1-FA	150000895	63	45	G1/8"	8	63	45	61	20	44.2	44.2	2	18	35	M4	13	6	2.5
CGS2-125-1-FA-SA	150001008	63	45	G1/8"	8	63	45	61	20	44.2	44.2	2	18	35	M4	13	6	2.5
CGS2-125-1-FA-VH	150001015	63	45	G1/8"	8	63	45	61	20	44.2	44.2	2	18	35	M4	13	6	2.5
CGS2-125-1-FI	150000896	63	45	G1/8"	8	63	45	61	20	44.2	44.2	2	18	35	M4	13	6	2.5
CGS2-125-1-FI-SA	150001009	63	45	G1/8"	8	63	45	61	20	44.2	44.2	2	18	35	M4	13	6	2.5
CGS2-125-1-FI-VH	150001016	63	45	G1/8"	8	63	45	61	20	44.2	44.2	2	18	35	M4	13	6	2.5
CGS2-125-2	150000894	63	15	G1/8"	8	63	15	61	20	44.2	44.2	2	18	35	M4	13	6	2.5
CGS2-125-2-SA	150001007	63	15	G1/8"	8	63	15	61	20	44.2	44.2	2	18	35	M4	13	6	2.5
CGS2-125-2-VH	150001014	63	15	G1/8"	8	63	15	61	20	44.2	44.2	2	18	35	M4	13	6	2.5
CGS2-125-2-FA	150000897	63	45	G1/8"	8	63	45	61	20	44.2	44.2	2	18	35	M4	13	6	2.5
CGS2-125-2-FA-SA	150001010	63	45	G1/8"	8	63	45	61	20	44.2	44.2	2	18	35	M4	13	6	2.5
CGS2-125-2-FA-VH	150001017	63	45	G1/8"	8	63	45	61	20	44.2	44.2	2	18	35	M4	13	6	2.5
CGS2-125-2-FI	150000898	63	45	G1/8"	8	63	45	61	20	44.2	44.2	2	18	35	M4	13	6	2.5
CGS2-125-2-FI-SA	150001011	63	45	G1/8"	8	63	45	61	20	44.2	44.2	2	18	35	M4	13	6	2.5
CGS2-125-2-FI-VH	150001018	63	45	G1/8"	8	63	45	61	20	44.2	44.2	2	18	35	M4	13	6	2.5

Dimensions

Air connections, mounting of custom attachment

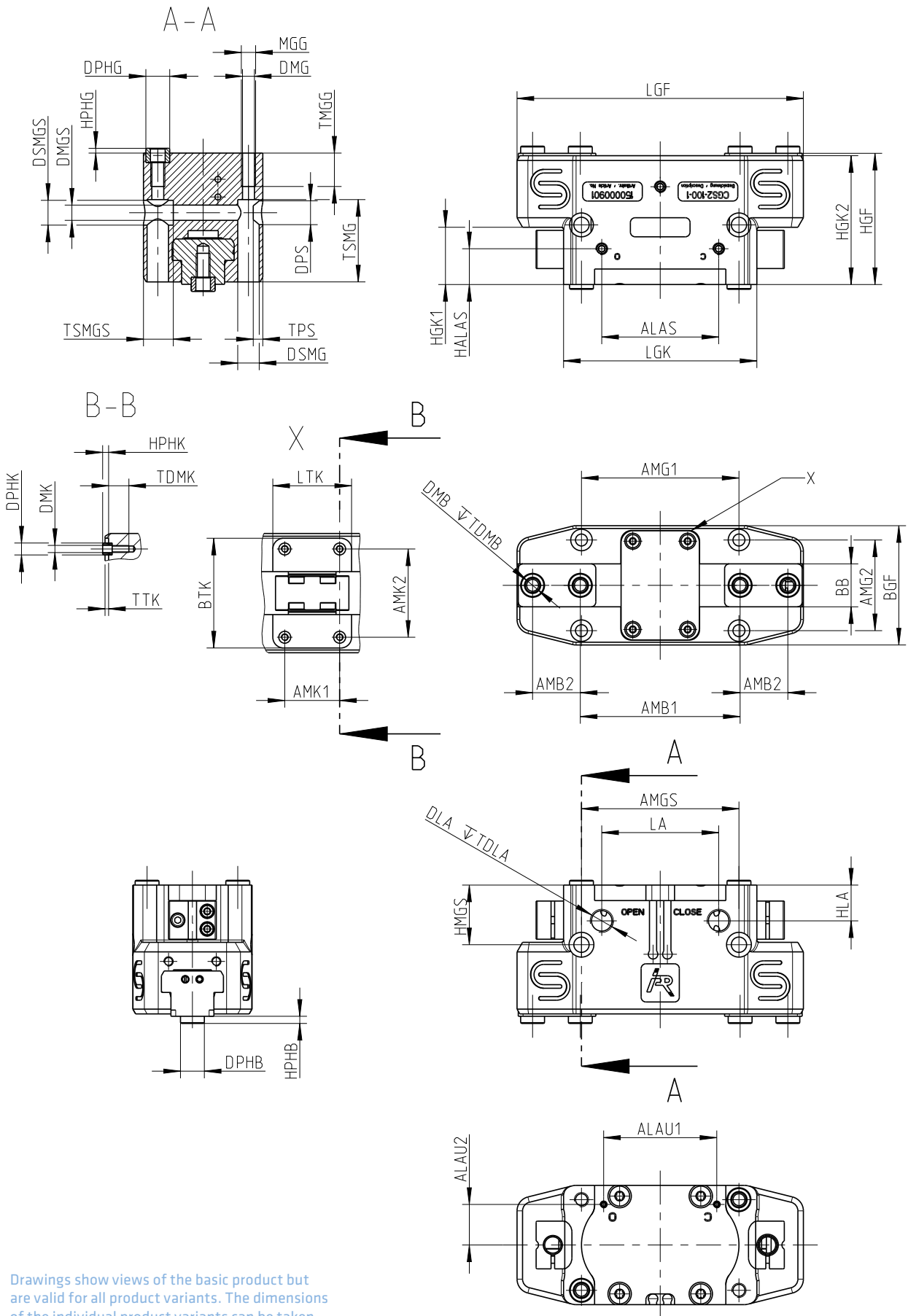
CGS2-160 | CGS2-200 | CGS2-240

Type	Item no.	Air connections								Assembly custom attachment								
		Standard [mm]				altern. lateral [mm]		altern. below [mm]		Pocket for attachment [mm]			Mounting [mm]					
		LA	HLA	DLA	TDLA	ALAS	HA LAS	ALAU 1	ALAU 2	LTK	BTK	TTK	AMK 1	AMK 2	DMK	TDMK	DPHK Ø h6	HPHK
CGS2-160-1	150000956	74	18	G1/8"	8	74	18	75	24.5	50	67	2	26	56	M5	12	8	3.5
CGS2-160-1-SA	150001079	74	18	G1/8"	8	74	18	75	24.5	50	67	2	26	56	M5	12	8	3.5
CGS2-160-1-VH	150001086	74	18	G1/8"	8	74	18	75	24.5	50	67	2	26	56	M5	12	8	3.5
CGS2-160-1-FA	150000958	74	58	G1/8"	8	74	58	75	24.5	50	67	2	26	56	M5	12	8	3.5
CGS2-160-1-FA-SA	150001081	74	58	G1/8"	8	74	58	75	24.5	50	67	2	26	56	M5	12	8	3.5
CGS2-160-1-FA-VH	150001088	74	58	G1/8"	8	74	58	75	24.5	50	67	2	26	56	M5	12	8	3.5
CGS2-160-1-FI	150000959	74	58	G1/8"	8	74	58	75	24.5	50	67	2	26	56	M5	12	8	3.5
CGS2-160-1-FI-SA	150001082	74	58	G1/8"	8	74	58	75	24.5	50	67	2	26	56	M5	12	8	3.5
CGS2-160-1-FI-VH	150001089	74	58	G1/8"	8	74	58	75	24.5	50	67	2	26	56	M5	12	8	3.5
CGS2-160-2	150000957	74	18	G1/8"	8	74	18	75	24.5	50	67	2	26	56	M5	12	8	3.5
CGS2-160-2-SA	150001080	74	18	G1/8"	8	74	18	75	24.5	50	67	2	26	56	M5	12	8	3.5
CGS2-160-2-VH	150001087	74	18	G1/8"	8	74	18	75	24.5	50	67	2	26	56	M5	12	8	3.5
CGS2-160-2-FA	150000960	74	58	G1/8"	8	74	58	75	24.5	50	67	2	26	56	M5	12	8	3.5
CGS2-160-2-FA-SA	150001083	74	58	G1/8"	8	74	58	75	24.5	50	67	2	26	56	M5	12	8	3.5
CGS2-160-2-FA-VH	150001090	74	58	G1/8"	8	74	58	75	24.5	50	67	2	26	56	M5	12	8	3.5
CGS2-160-2-FI	150000961	74	58	G1/8"	8	74	58	75	24.5	50	67	2	26	56	M5	12	8	3.5
CGS2-160-2-FI-SA	150001084	74	58	G1/8"	8	74	58	75	24.5	50	67	2	26	56	M5	12	8	3.5
CGS2-160-2-FI-VH	150001091	74	58	G1/8"	8	74	58	75	24.5	50	67	2	26	56	M5	12	8	3.5
CGS2-200-1	150000932	82	22	G1/8"	8	82	22	82	39.5	56.2	80.2	2	26	62	M6	20	10	3
CGS2-200-1-SA	150001093	82	22	G1/8"	8	82	22	82	39.5	56.2	80.2	2	26	62	M6	20	10	3
CGS2-200-1-VH	150001100	82	22	G1/8"	8	82	22	82	39.5	56.2	80.2	2	26	62	M6	20	10	3
CGS2-200-1-FA	150000934	82	72	G1/8"	8	82	72	82	39.5	56.2	80.2	2	26	62	M6	20	10	3
CGS2-200-1-FA-SA	150001095	82	72	G1/8"	8	82	72	82	39.5	56.2	80.2	2	26	62	M6	20	10	3
CGS2-200-1-FA-VH	150001102	82	72	G1/8"	8	82	72	82	39.5	56.2	80.2	2	26	62	M6	20	10	3
CGS2-200-1-FI	150000935	82	72	G1/8"	8	82	72	82	39.5	56.2	80.2	2	26	62	M6	20	10	3
CGS2-200-1-FI-SA	150001096	82	72	G1/8"	8	82	72	82	39.5	56.2	80.2	2	26	62	M6	20	10	3
CGS2-200-1-FI-VH	150001103	82	72	G1/8"	8	82	72	82	39.5	56.2	80.2	2	26	62	M6	20	10	3
CGS2-200-2	150000933	82	22	G1/8"	8	82	22	82	39.5	56.2	80.2	2	26	62	M6	20	10	3
CGS2-200-2-SA	150001094	82	22	G1/8"	8	82	22	82	39.5	56.2	80.2	2	26	62	M6	20	10	3
CGS2-200-2-VH	150001101	82	22	G1/8"	8	82	22	82	39.5	56.2	80.2	2	26	62	M6	20	10	3
CGS2-200-2-FA	150000936	82	72	G1/8"	8	82	72	82	39.5	56.2	80.2	2	26	62	M6	20	10	3
CGS2-200-2-FA-SA	150001097	82	72	G1/8"	8	82	72	82	39.5	56.2	80.2	2	26	62	M6	20	10	3
CGS2-200-2-FA-VH	150001104	82	72	G1/8"	8	82	72	82	39.5	56.2	80.2	2	26	62	M6	20	10	3
CGS2-200-2-FI	150000937	82	72	G1/8"	8	82	72	82	39.5	56.2	80.2	2	26	62	M6	20	10	3
CGS2-200-2-FI-SA	150001098	82	72	G1/8"	8	82	72	82	39.5	56.2	80.2	2	26	62	M6	20	10	3
CGS2-200-2-FI-VH	150001105	82	72	G1/8"	8	82	72	82	39.5	56.2	80.2	2	26	62	M6	20	10	3
CGS2-240-1	150000962	96	25.3	G1/8"	8	96	25.3	96	48	72.7	88.2	2	32	70	M8	25	12	3
CGS2-240-1-SA	150001106	96	25.3	G1/8"	8	96	25.3	96	48	72.7	88.2	2	32	70	M8	25	12	3
CGS2-240-1-VH	150001113	96	25.3	G1/8"	8	96	25.3	96	48	72.7	88.2	2	32	70	M8	25	12	3
CGS2-240-1-FA	150000964	96	81.8	G1/8"	8	96	81.8	96	48	72.7	88.2	2	32	70	M8	25	12	3
CGS2-240-1-FA-SA	150001108	96	81.8	G1/8"	8	96	81.8	96	48	72.7	88.2	2	32	70	M8	25	12	3
CGS2-240-1-FA-VH	150001115	96	81.8	G1/8"	8	96	81.8	96	48	72.7	88.2	2	32	70	M8	25	12	3
CGS2-240-1-FI	150000965	96	81.8	G1/8"	8	96	81.8	96	48	72.7	88.2	2	32	70	M8	25	12	3
CGS2-240-1-FI-SA	150001109	96	81.8	G1/8"	8	96	81.8	96	48	72.7	88.2	2	32	70	M8	25	12	3
CGS2-240-1-FI-VH	150001116	96	81.8	G1/8"	8	96	81.8	96	48	72.7	88.2	2	32	70	M8	25	12	3
CGS2-240-2	150000963	96	25.3	G1/8"	8	96	25.3	96	48	72.7	88.2	2	32	70	M8	25	12	3
CGS2-240-2-SA	150001107	96	25.3	G1/8"	8	96	25.3	96	48	72.7	88.2	2	32	70	M8	25	12	3
CGS2-240-2-VH	150001114	96	25.3	G1/8"	8	96	25.3	96	48	72.7	88.2	2	32	70	M8	25	12	3
CGS2-240-2-FA	150000966	96	81.8	G1/8"	8	96	81.8	96	48	72.7	88.2	2	32	70	M8	25	12	3
CGS2-240-2-FA-SA	150001110	96	81.8	G1/8"	8	96	81.8	96	48	72.7	88.2	2	32	70	M8	25	12	3
CGS2-240-2-FA-VH	150001117	96	81.8	G1/8"	8	96	81.8	96	48	72.7	88.2	2	32	70	M8	25	12	3
CGS2-240-2-FI	150000967	96	81.8	G1/8"	8	96	81.8	96	48	72.7	88.2	2	32	70	M8	25	12	3
CGS2-240-2-FI-SA	150001111	96	81.8	G1/8"	8	96	81.8	96	48	72.7	88.2	2	32	70	M8	25	12	3
CGS2-240-2-FI-VH	150001118	96	81.8	G1/8"	8	96	81.8	96	48	72.7	88.2	2	32	70	M8	25	12	3

For explanation of abbreviations and drawings see page 48-49

CGS2-300 | CGS2-380

Type	Item no.	Air connections								Assembly custom attachment								
		Standard [mm]				altern. lateral [mm]		altern. below [mm]		Pocket for attachment [mm]			Mounting [mm]					
		LA	HLA	DLA	TDLA	ALAS	HALAS	ALAU 1	ALAU 2	LTK	BTK	TTK	AMK 1	AMK 2	DMK	TDMK	DPHK Ø h6	HPHK
CGS2-300-1	150000938	106	30	G1/4"	12	106	30	106	55	91.2	130.2	2	50	110	M8	25	12	3
CGS2-300-1-SA	150001132	106	30	G1/4"	12	106	30	106	55	91.2	130.2	2	50	110	M8	25	12	3
CGS2-300-1-VH	150001139	106	30	G1/4"	12	106	30	106	55	91.2	130.2	2	50	110	M8	25	12	3
CGS2-300-1-FA	150000940	106	80	G1/4"	12	106	80	106	55	91.2	130.2	2	50	110	M8	25	12	3
CGS2-300-1-FA-SA	150001134	106	80	G1/4"	12	106	80	106	55	91.2	130.2	2	50	110	M8	25	12	3
CGS2-300-1-FA-VH	150001141	106	80	G1/4"	12	106	80	106	55	91.2	130.2	2	50	110	M8	25	12	3
CGS2-300-1-FI	150000941	106	80	G1/4"	12	106	80	106	55	91.2	130.2	2	50	110	M8	25	12	3
CGS2-300-1-FI-SA	150001135	106	80	G1/4"	12	106	80	106	55	91.2	130.2	2	50	110	M8	25	12	3
CGS2-300-1-FI-VH	150001142	106	80	G1/4"	12	106	80	106	55	91.2	130.2	2	50	110	M8	25	12	3
CGS2-300-2	150000939	106	30	G1/4"	12	106	30	106	55	91.2	130.2	2	50	110	M8	25	12	3
CGS2-300-2-SA	150001133	106	30	G1/4"	12	106	30	106	55	91.2	130.2	2	50	110	M8	25	12	3
CGS2-300-2-VH	150001140	106	30	G1/4"	12	106	30	106	55	91.2	130.2	2	50	110	M8	25	12	3
CGS2-300-2-FA	150000942	106	80	G1/4"	12	106	80	106	55	91.2	130.2	2	50	110	M8	25	12	3
CGS2-300-2-FA-SA	150001136	106	80	G1/4"	12	106	80	106	55	91.2	130.2	2	50	110	M8	25	12	3
CGS2-300-2-FA-VH	150001143	106	80	G1/4"	12	106	80	106	55	91.2	130.2	2	50	110	M8	25	12	3
CGS2-300-2-FI	150000943	106	80	G1/4"	12	106	80	106	55	91.2	130.2	2	50	110	M8	25	12	3
CGS2-300-2-FI-SA	150001137	106	80	G1/4"	12	106	80	106	55	91.2	130.2	2	50	110	M8	25	12	3
CGS2-300-2-FI-VH	150001144	106	80	G1/4"	12	106	80	106	55	91.2	130.2	2	50	110	M8	25	12	3
CGS2-380-1	150000970	140	30	G1/4"	12	140	30	140	70	110.2	158.2	2	66	140	M10	35	14	4
CGS2-380-1-SA	150001119	140	30	G1/4"	12	140	30	140	70	110.2	158.2	2	66	140	M10	35	14	4
CGS2-380-1-VH	150001126	140	30	G1/4"	12	140	30	140	70	110.2	158.2	2	66	140	M10	35	14	4
CGS2-380-1-FA	150000972	140	101.5	G1/4"	12	140	101.5	140	70	110.2	158.2	2	66	140	M10	35	14	4
CGS2-380-1-FA-SA	150001121	140	101.5	G1/4"	12	140	101.5	140	70	110.2	158.2	2	66	140	M10	35	14	4
CGS2-380-1-FA-VH	150001128	140	101.5	G1/4"	12	140	101.5	140	70	110.2	158.2	2	66	140	M10	35	14	4
CGS2-380-1-FI	150000973	140	101.5	G1/4"	12	140	101.5	140	70	110.2	158.2	2	66	140	M10	35	14	4
CGS2-380-1-FI-SA	150001122	140	101.5	G1/4"	12	140	101.5	140	70	110.2	158.2	2	66	140	M10	35	14	4
CGS2-380-1-FI-VH	150001129	140	101.5	G1/4"	12	140	101.5	140	70	110.2	158.2	2	66	140	M10	35	14	4
CGS2-380-2	150000971	140	30	G1/4"	12	140	30	140	70	110.2	158.2	2	66	140	M10	35	14	4
CGS2-380-2-SA	150001120	140	30	G1/4"	12	140	30	140	70	110.2	158.2	2	66	140	M10	35	14	4
CGS2-380-2-VH	150001127	140	30	G1/4"	12	140	30	140	70	110.2	158.2	2	66	140	M10	35	14	4
CGS2-380-2-FA	150000974	140	101.5	G1/4"	12	140	101.5	140	70	110.2	158.2	2	66	140	M10	35	14	4
CGS2-380-2-FA-SA	150001123	140	101.5	G1/4"	12	140	101.5	140	70	110.2	158.2	2	66	140	M10	35	14	4
CGS2-380-2-FA-VH	150001130	140	101.5	G1/4"	12	140	101.5	140	70	110.2	158.2	2	66	140	M10	35	14	4
CGS2-380-2-FI	150000975	140	101.5	G1/4"	12	140	101.5	140	70	110.2	158.2	2	66	140	M10	35	14	4
CGS2-380-2-FI-SA	150001124	140	101.5	G1/4"	12	140	101.5	140	70	110.2	158.2	2	66	140	M10	35	14	4
CGS2-380-2-FI-VH	150001131	140	101.5	G1/4"	12	140	101.5	140	70	110.2	158.2	2	66	140	M10	35	14	4



Drawings show views of the basic product but are valid for all product variants. The dimensions of the individual product variants can be taken from the tables on the previous pages.

List of abbreviations

Overview abbreviations CGS2 series

AB	Number of holes – gripper mounting standard	DPS	Diameter fit of lateral mounting holes gripper
ABSS	Number of holes – lateral gripper mounting	DSMG	Diameter counterbore mounting holes gripper
ALAS	Distance between optional air connections on lateral mounting surface	DSMGS	Diameter counterbore lateral mounting holes gripper
ALAU1	Distance 1 optional air connections on lower mounting surface	HALAS	Height of optional air connections on the side mounting surface
ALAU2	Distance 2 optional air connections on lower mounting surface	HGF	Height of gripper
AMB1	Distance between mounting holes gripper fingers (gripper open / closed)	HGK1	Main body height
AMB2	Distance between mounting holes gripper fingers	HGK2	Total height main body
AMG1	Distance 1 mounting holes gripper	HLA	Height of air connection
AMG2	Distance 2 mounting holes gripper	HMGS	Height of mounting holes gripper side
AMGS	Distance of lateral mounting holes gripper	HPHB	Height of centering sleeves gripper jaws
AMK1	Distance between mounting holes, customer-specific attachment 1	HPHG	Height of centering sleeves gripper jaws
AMK2	Distance between mounting holes, customer-specific attachment 2	HPHK	Height of centering sleeves, customer-specific attachment
BB	Width gripper jaws	LA	Distance between air connections
BGF	Width gripper	LGF	Length gripper
BTK	Width pocket of customized attachment	LGK	Body length
DLA	Air connection diameter	LTK	Length pocket custom attachment
DMB	Gripper finger mounting thread diameter	MGG	Mounting thread gripper
DMG	Diameter of mounting holes gripper	TDLA	Depth of diameter air connection
DMGS	Diameter of lateral mounting holes gripper	TDMB	Depth of diameter mounting thread gripper finger
DMK	Mounting thread diameter customer-specific attachment	TDMK	Depth of diameter mounting thread customer-specific attachment
DPHB	Centering bushes diameter gripper jaws	TMGG	Depth of mounting thread gripper
DPHG	Centering sleeve diameter body	TPS	Depth of fit lateral mounting holes gripper
DPHK	Diameter of centering bushes customer-specific attachment	TSMG	Depth of countersink mounting holes gripper
		TSMGS	Depth of counterbore lateral mounting holes gripper
		TTK	Depth of pocket custom attachment



Standard is not enough for us

Solution competence made to measure

Our standard components can easily be adapted to customer-specific requirements. Various attachments and accessories are available for this purpose.

For more complex applications, where the modification of standard components no longer offers a sensible solution, we design special components that are precisely tailored to your applications. Many years of experience help us to find a technically and economically fit solution for you – quickly and effectively.

**Special nozzle
changer for seam
sealing applications**



Personal consulting

We are happy to provide advice on our components and technologies. Benefit from the long standing experience of the IPR advisors.

01



CONSULTING

Our expert employees specifically address your wishes and requirements and offer you competent advice on your application. With over 30 years of experience in the production of high-quality components and systems, IPR supports and supplies its customers world-wide, thereby creating valuable customer proximity.

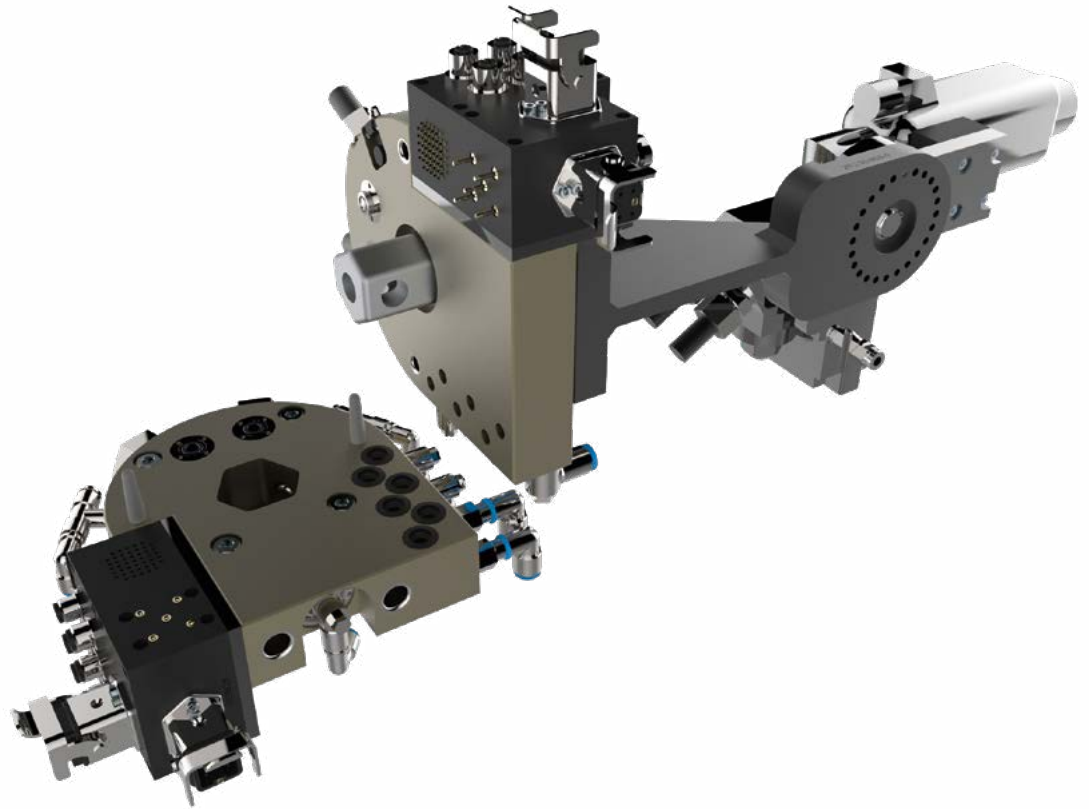
02



QUOTING & PROJECT PLANNING

In the next step, we develop a solution proposal for you and create a project plan in this context. This is followed by a cost-benefit optimization and a feasibility analysis. These include the technical designs as well as constructive tests by our engineering team.

**Complex
tool changer for
PVC applications**



03



**ENGINEERING
AND DESIGN**

Our engineers and designers are professionals in their field and have in-depth knowledge of all industries and processes. Our specialists implement individual projects professionally and on schedule look forward to first-class conception and implementation.

04



MANUFACTURING

A machine park equipped with the latest technologies and processes, great know-how in manufacturing as well as highly trained employees ensure that every single product is manufactured with the highest precision, quality and passion to your satisfaction.

05



ON SITE SERVICE

We offer you a unique support in every phase – even after commissioning: from maintenance and repair service to spare parts service and customer training on site or at IPR. Our professional services show that customer proximity is very important to us.



IPR Robotics LLC.

50775 Wing Drive
Shelby Township
MI 48315, USA

T +1 248 556-7556
F +1 248 556-7560

sales@iprrobotics.com
www.iprrobotics.com

We are represented worldwide.



Germany (Headquarter)

**IPR – Intelligente Peripherien
für Roboter GmbH**

Jakob-Dieffenbacher-Str. 4/2
75031 Eppingen, Germany
T +497262 9239-100
F +497262 9239-400
info@iprworldwide.com

Mexico

Intellum, S.A. de C.V.

Av. Central 206, 1er piso
Col. San Pedro de los Pinos
Del. Alvaro Obregon, CP 01180
T +52 55 5668 6063
F +52 55 5668 6079
info@iprmexico.com

China

IPR GmbH

China Representative Office
Room C2119, Tomson Centre
No 188, ZhangYang Road
Pudong, Shanghai 200120
T +86 21 5876 9833
F +86 21 5876 9941
zd.huang@ipr-soehner.sina.net



You can find more contacts on our website:
www.iprrobotics.com

